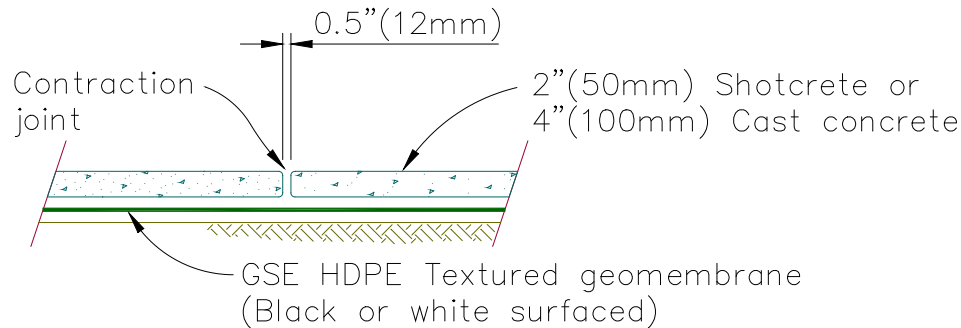


## Typical Section Thru New Canal Liner Construction

Not to scale



**GSE Lining Technology, Inc.**

19103 Gundie Road  
Houston, Texas 77073-3598  
(800)435-2008 / (281)443-8564

NO PART OF THIS DOCUMENT MAY BE REPRODUCED OR DISTRIBUTED IN ANY FORM OR BY ANY MEANS, OR STORED IN A DATA BASE OR RETRIEVAL SYSTEM, WITHOUT THE PRIOR WRITTEN PERMISSION OF GSE Lining Technology, Inc.

THIS IS A CONCEPTUAL DRAWING SOLELY FOR USE BY ENGINEERS AS A GENERAL GUIDELINE IN FORMULATING SITE SPECIFIC ENGINEERING DRAWINGS. NO DESCRIPTION OF MATERIALS OR THIS DESIGN CREATES OR AMOUNTS TO AN EXPRESS WARRANTY, OR IMPLIED WARRANTY OF MERCHANTABILITY OR FITNESS FOR A PARTICULAR PURPOSE.

DRAWN

Don

DATE

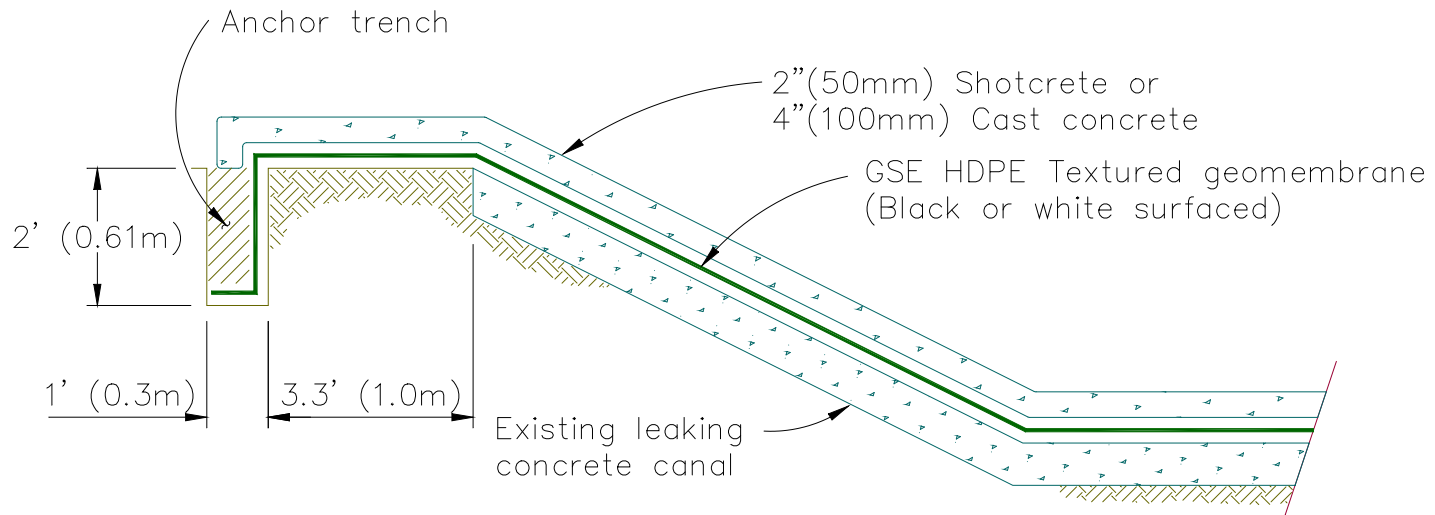
12/15/98

REVISION

1

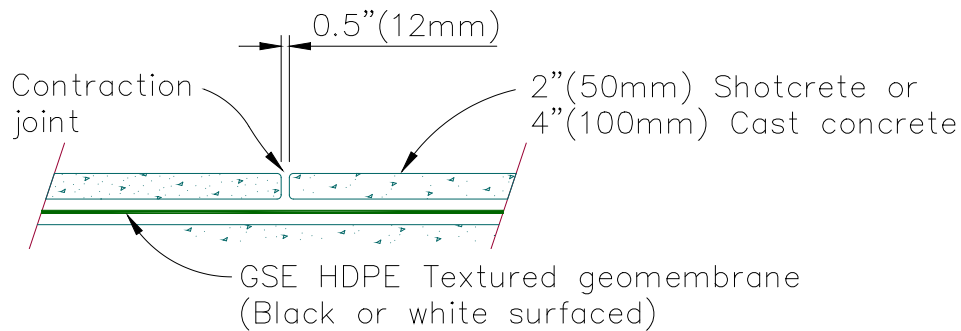
DWG. NO.

D-CN001



## Typical Section Thru Existing Canal Re-lining

Not to scale



**GSE Lining Technology, Inc.**

19103 Gundie Road  
Houston, Texas 77073-3598  
(800)435-2008 / (281)443-8564

NO PART OF THIS DOCUMENT MAY BE REPRODUCED OR DISTRIBUTED IN ANY FORM OR BY ANY MEANS, OR STORED IN A DATA BASE OR RETRIEVAL SYSTEM, WITHOUT THE PRIOR WRITTEN PERMISSION OF GSE Lining Technology, Inc.

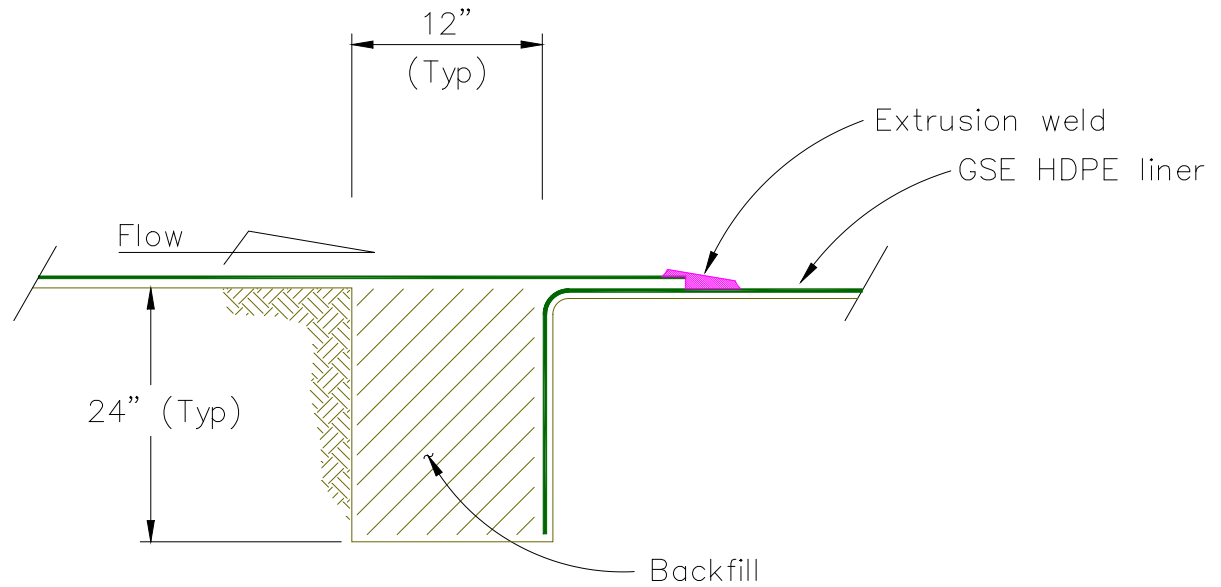
THIS IS A CONCEPTUAL DRAWING SOLELY FOR USE BY ENGINEERS AS A GENERAL GUIDELINE IN FORMULATING SITE SPECIFIC ENGINEERING DRAWINGS. NO DESCRIPTION OF MATERIALS OR THIS DESIGN CREATES OR AMOUNTS TO AN EXPRESS WARRANTY, OR IMPLIED WARRANTY OF MERCHANTABILITY OR FITNESS FOR A PARTICULAR PURPOSE.

DRAWN Don

DATE 12/15/98

REVISION 1

DWG. NO. D-CN002



## Typical Anchor Trench

Not to scale



**GSE Lining Technology, Inc.**

19103 Gundie Road  
Houston, Texas 77073-3598  
(800)435-2008 / (281)443-8564

NO PART OF THIS DOCUMENT MAY BE REPRODUCED OR DISTRIBUTED IN ANY FORM OR BY ANY MEANS, OR STORED IN A DATA BASE OR RETRIEVAL SYSTEM, WITHOUT THE PRIOR WRITTEN PERMISSION OF GSE Lining Technology, Inc.

THIS IS A CONCEPTUAL DRAWING SOLELY FOR USE BY ENGINEERS AS A GENERAL GUIDELINE IN FORMULATING SITE SPECIFIC ENGINEERING DRAWINGS. NO DESCRIPTION OF MATERIALS OR THIS DESIGN CREATES OR AMOUNTS TO AN EXPRESS WARRANTY, OR IMPLIED WARRANTY OF MERCHANTABILITY OR FITNESS FOR A PARTICULAR PURPOSE.

DRAWN

Don

DATE

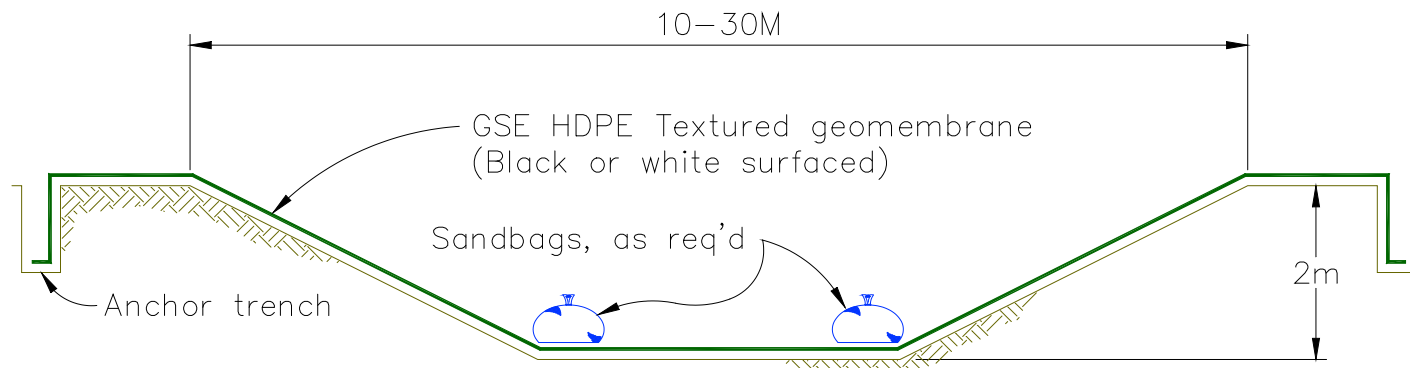
12/15/98

REVISION

1

DWG. NO.

D-CN003



## Typical Section Thru New Canal Liner Construction

Not to scale



**GSE Lining Technology, Inc.**

19103 Gundie Road  
Houston, Texas 77073-3598  
(800)435-2008 / (281)443-8564

NO PART OF THIS DOCUMENT MAY BE REPRODUCED OR DISTRIBUTED IN ANY FORM OR BY ANY MEANS, OR STORED IN A DATA BASE OR RETRIEVAL SYSTEM, WITHOUT THE PRIOR WRITTEN PERMISSION OF GSE Lining Technology, Inc.

THIS IS A CONCEPTUAL DRAWING SOLELY FOR USE BY ENGINEERS AS A GENERAL GUIDELINE IN FORMULATING SITE SPECIFIC ENGINEERING DRAWINGS. NO DESCRIPTION OF MATERIALS OR THIS DESIGN CREATES OR AMOUNTS TO AN EXPRESS WARRANTY, OR IMPLIED WARRANTY OF MERCHANTABILITY OR FITNESS FOR A PARTICULAR PURPOSE.

DRAWN

Don

DATE

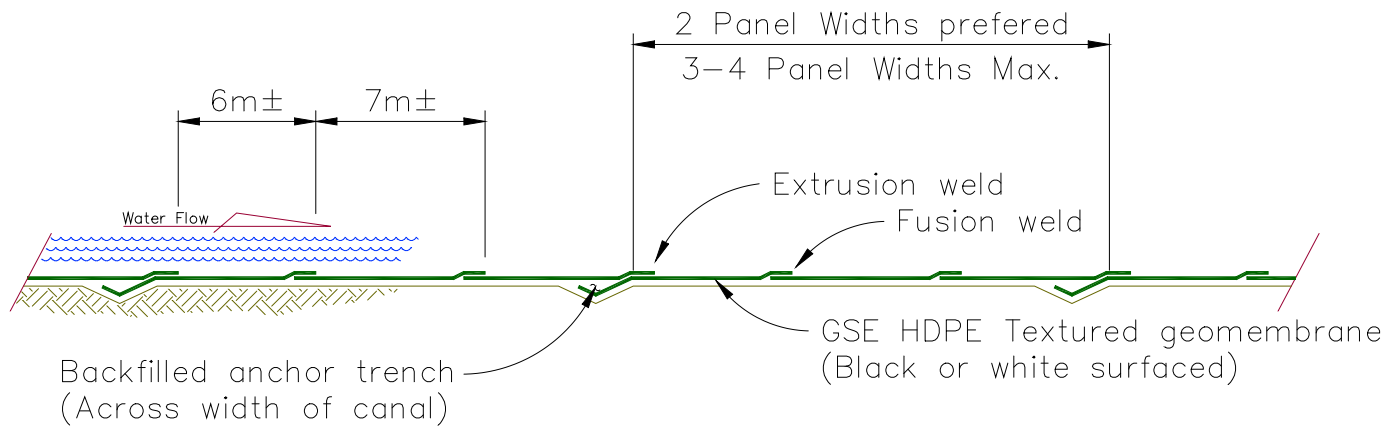
12/15/98

REVISION

1

DWG. NO.

D-CN004



## Typical Ballast Along Length Of Canal

Not to Scale

NOTE: See GSE Dwg. No. D-CN004 for typ. section thru canal

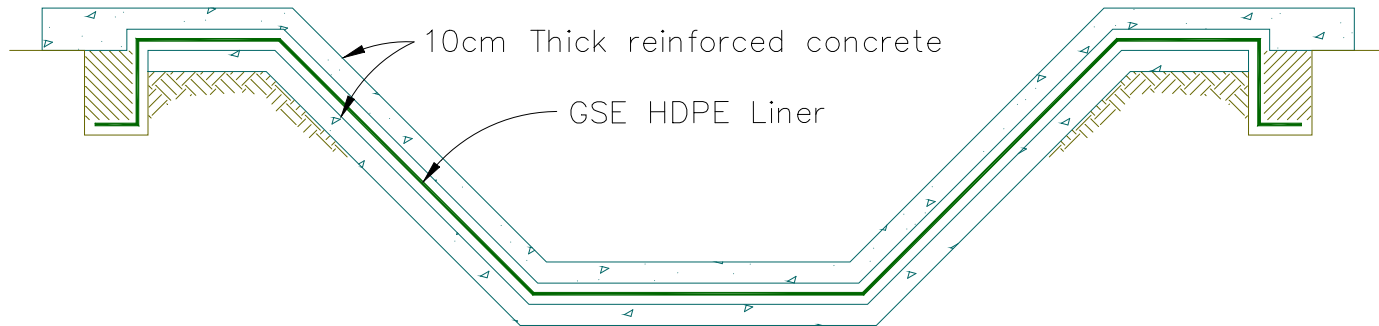


**GSE Lining Technology, Inc.**  
 19103 Gundie Road  
 Houston, Texas 77073-3598  
 (800)435-2008 / (281)443-8564

NO PART OF THIS DOCUMENT MAY BE REPRODUCED OR DISTRIBUTED IN ANY FORM OR BY ANY MEANS, OR STORED IN A DATA BASE OR RETRIEVAL SYSTEM, WITHOUT THE PRIOR WRITTEN PERMISSION OF GSE Lining Technology, Inc.

THIS IS A CONCEPTUAL DRAWING SOLELY FOR USE BY ENGINEERS AS A GENERAL GUIDELINE IN FORMULATING SITE SPECIFIC ENGINEERING DRAWINGS. NO DESCRIPTION OF MATERIALS OR THIS DESIGN CREATES OR AMOUNTS TO AN EXPRESS WARRANTY, OR IMPLIED WARRANTY OF MERCHANTABILITY OR FITNESS FOR A PARTICULAR PURPOSE.

DRAWN	Don	DATE	12/15/98
REVISION	1	DWG. NO.	D-CN005



## Typical Section Thru Canal

Not to scale



**GSE Lining Technology, Inc.**

19103 Gundie Road  
Houston, Texas 77073-3598  
(800)435-2008 / (281)443-8564

NO PART OF THIS DOCUMENT MAY BE REPRODUCED OR DISTRIBUTED IN ANY FORM OR BY ANY MEANS, OR STORED IN A DATA BASE OR RETRIEVAL SYSTEM, WITHOUT THE PRIOR WRITTEN PERMISSION OF GSE Lining Technology, Inc.

THIS IS A CONCEPTUAL DRAWING SOLELY FOR USE BY ENGINEERS AS A GENERAL GUIDELINE IN FORMULATING SITE SPECIFIC ENGINEERING DRAWINGS. NO DESCRIPTION OF MATERIALS OR THIS DESIGN CREATES OR AMOUNTS TO AN EXPRESS WARRANTY, OR IMPLIED WARRANTY OF MERCHANTABILITY OR FITNESS FOR A PARTICULAR PURPOSE.

DRAWN

Don

DATE

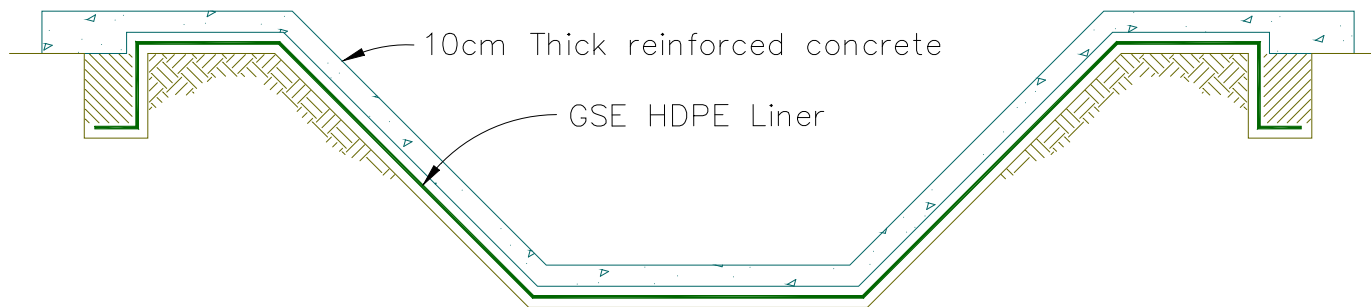
12/15/98

REVISION

1

DWG. NO.

D-CN006



## Typical Section Thru Canal

Not to scale



**GSE Lining Technology, Inc.**

19103 Gundie Road  
Houston, Texas 77073-3598  
(800)435-2008 / (281)443-8564

NO PART OF THIS DOCUMENT MAY BE REPRODUCED OR DISTRIBUTED IN ANY FORM OR BY ANY MEANS, OR STORED IN A DATA BASE OR RETRIEVAL SYSTEM, WITHOUT THE PRIOR WRITTEN PERMISSION OF GSE Lining Technology, Inc.

THIS IS A CONCEPTUAL DRAWING SOLELY FOR USE BY ENGINEERS AS A GENERAL GUIDELINE IN FORMULATING SITE SPECIFIC ENGINEERING DRAWINGS. NO DESCRIPTION OF MATERIALS OR THIS DESIGN CREATES OR AMOUNTS TO AN EXPRESS WARRANTY, OR IMPLIED WARRANTY OF MERCHANTABILITY OR FITNESS FOR A PARTICULAR PURPOSE.

DRAWN

Don

DATE

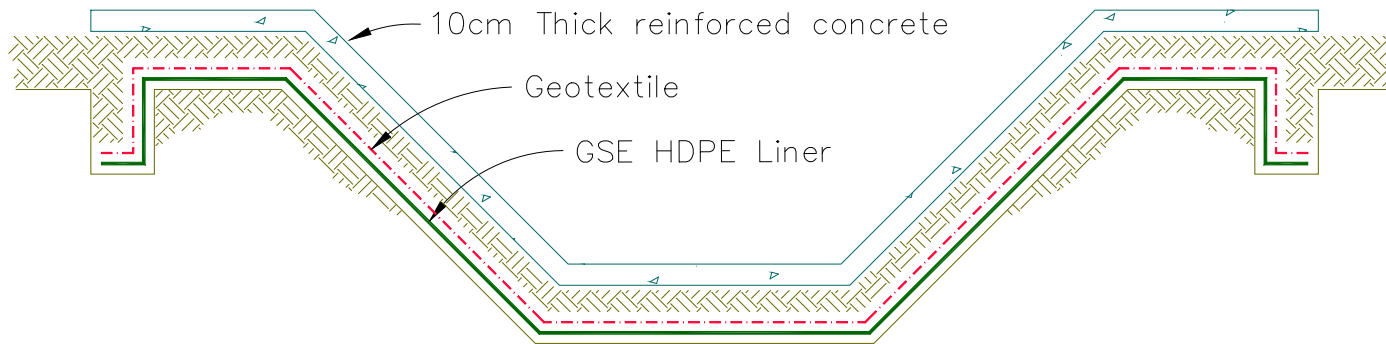
12/15/98

REVISION

1

DWG. NO.

D-CN007



## Typical Section Thru Canal

Not to scale



**GSE Lining Technology, Inc.**

19103 Gundie Road  
Houston, Texas 77073-3598  
(800)435-2008 / (281)443-8564

NO PART OF THIS DOCUMENT MAY BE REPRODUCED OR DISTRIBUTED IN ANY FORM OR BY ANY MEANS, OR STORED IN A DATA BASE OR RETRIEVAL SYSTEM, WITHOUT THE PRIOR WRITTEN PERMISSION OF GSE Lining Technology, Inc.

THIS IS A CONCEPTUAL DRAWING SOLELY FOR USE BY ENGINEERS AS A GENERAL GUIDELINE IN FORMULATING SITE SPECIFIC ENGINEERING DRAWINGS. NO DESCRIPTION OF MATERIALS OR THIS DESIGN CREATES OR AMOUNTS TO AN EXPRESS WARRANTY, OR IMPLIED WARRANTY OF MERCHANTABILITY OR FITNESS FOR A PARTICULAR PURPOSE.

DRAWN

Don

DATE

12/15/98

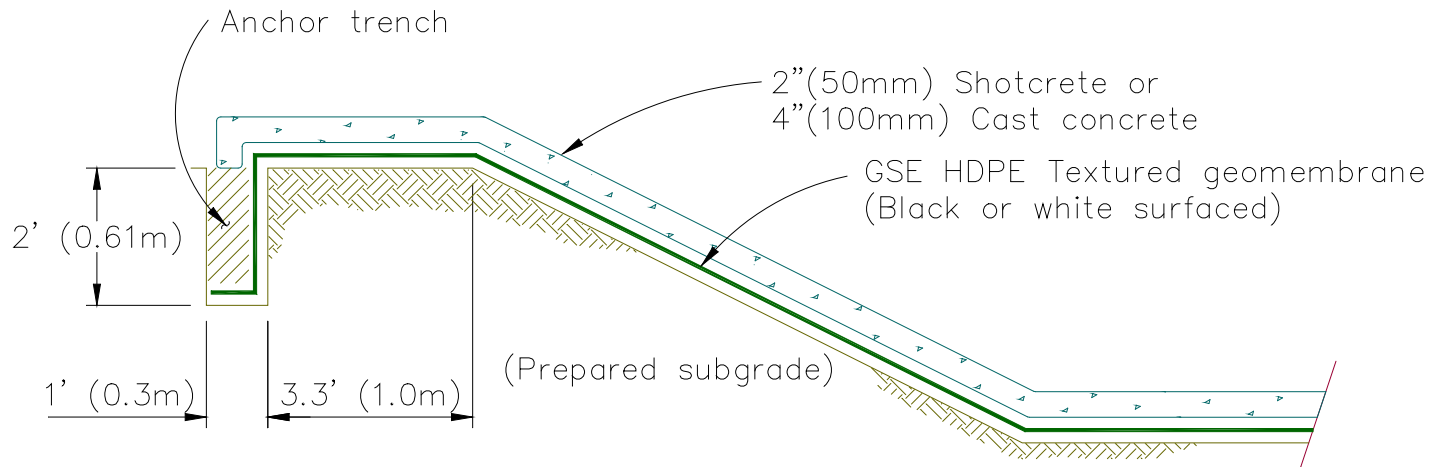
REVISION

1

DWG. NO.

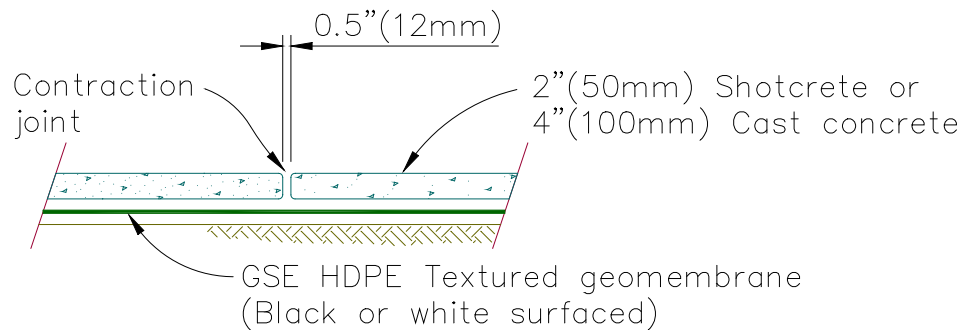
D-CN008





## Typical Section Thru New Canal Liner Construction

Not to scale



**GSE Lining Technology, Inc.**

19103 Gundie Road  
Houston, Texas 77073-3598  
(800)435-2008 / (281)443-8564

NO PART OF THIS DOCUMENT MAY BE REPRODUCED OR DISTRIBUTED IN ANY FORM OR BY ANY MEANS, OR STORED IN A DATA BASE OR RETRIEVAL SYSTEM, WITHOUT THE PRIOR WRITTEN PERMISSION OF GSE Lining Technology, Inc.

THIS IS A CONCEPTUAL DRAWING SOLELY FOR USE BY ENGINEERS AS A GENERAL GUIDELINE IN FORMULATING SITE SPECIFIC ENGINEERING DRAWINGS. NO DESCRIPTION OF MATERIALS OR THIS DESIGN CREATES OR AMOUNTS TO AN EXPRESS WARRANTY, OR IMPLIED WARRANTY OF MERCHANTABILITY OR FITNESS FOR A PARTICULAR PURPOSE.

DRAWN

Don

DATE

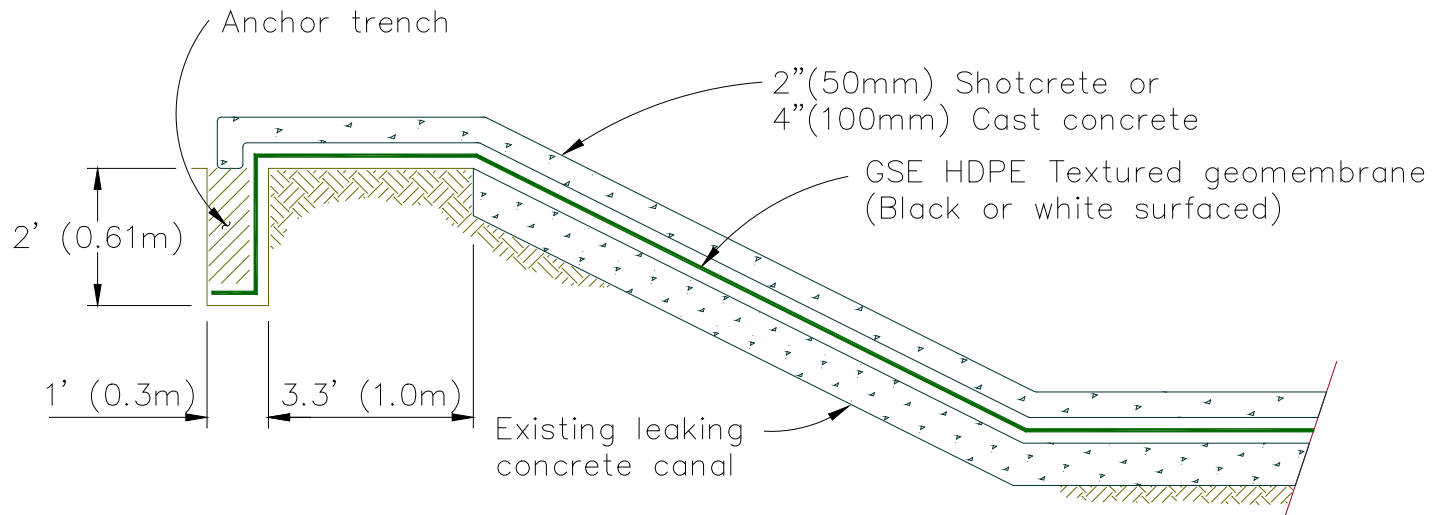
12/15/98

REVISION

1

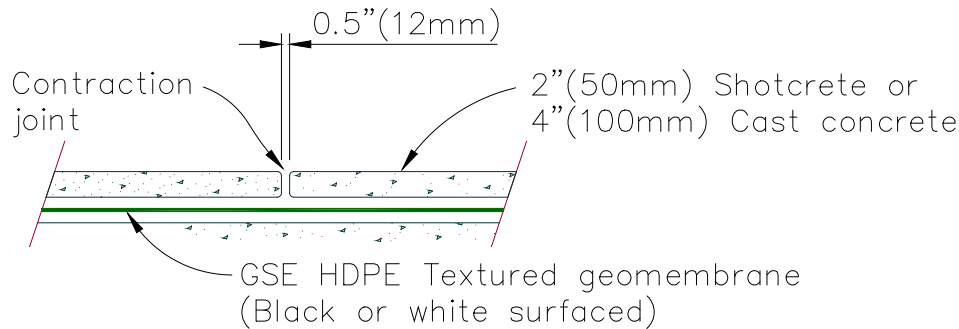
DWG. NO.

D-CN009



## Typical Section Thru Existing Canal Re-lining

Not to scale



**GSE Lining Technology, Inc.**

19103 Gundie Road  
Houston, Texas 77073-3598  
(800)435-2008 / (281)443-8564

NO PART OF THIS DOCUMENT MAY BE REPRODUCED OR DISTRIBUTED IN ANY FORM OR BY ANY MEANS, OR STORED IN A DATA BASE OR RETRIEVAL SYSTEM, WITHOUT THE PRIOR WRITTEN PERMISSION OF GSE Lining Technology, Inc.

THIS IS A CONCEPTUAL DRAWING SOLELY FOR USE BY ENGINEERS AS A GENERAL GUIDELINE IN FORMULATING SITE SPECIFIC ENGINEERING DRAWINGS. NO DESCRIPTION OF MATERIALS OR THIS DESIGN CREATES OR AMOUNTS TO AN EXPRESS WARRANTY, OR IMPLIED WARRANTY OF MERCHANTABILITY OR FITNESS FOR A PARTICULAR PURPOSE.

DRAWN

Don

DATE

12/15/98

REVISION

1

DWG. NO.

D-CN010