

Typical Manhole Hatch

Not to scale



GSE Lining Technology, Inc.

19103 Gundie Road
Houston, Texas 77073-3598
(800)435-2008 / (281)443-8564

NO PART OF THIS DOCUMENT MAY BE REPRODUCED OR DISTRIBUTED IN ANY FORM OR BY ANY MEANS, OR STORED IN A DATA BASE OR RETRIEVAL SYSTEM, WITHOUT THE PRIOR WRITTEN PERMISSION OF GSE Lining Technology, Inc.

THIS IS A CONCEPTUAL DRAWING SOLELY FOR USE BY ENGINEERS AS A GENERAL GUIDELINE IN FORMULATING SITE SPECIFIC ENGINEERING DRAWINGS. NO DESCRIPTION OF MATERIALS OR THIS DESIGN CREATES OR AMOUNTS TO AN EXPRESS WARRANTY, OR IMPLIED WARRANTY OF MERCHANTABILITY OR FITNESS FOR A PARTICULAR PURPOSE.

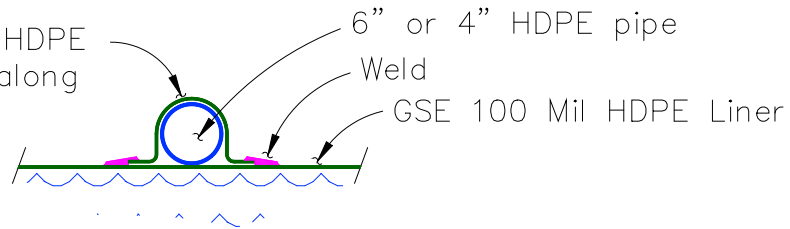
DRAWN Don

DATE 12/15/98

REVISION 1

DWG. NO. D-FC001

12" Wide 100 Mil HDPE strap @ 5' ctrs. along each lateral



Typical Weight Pipe Strap

Not to scale



GSE Lining Technology, Inc.

19103 Gundie Road
Houston, Texas 77073-3598
(800)435-2008 / (281)443-8564

NO PART OF THIS DOCUMENT MAY BE REPRODUCED OR DISTRIBUTED IN ANY FORM OR BY ANY MEANS, OR STORED IN A DATA BASE OR RETRIEVAL SYSTEM, WITHOUT THE PRIOR WRITTEN PERMISSION OF GSE Lining Technology, Inc.

THIS IS A CONCEPTUAL DRAWING SOLELY FOR USE BY ENGINEERS AS A GENERAL GUIDELINE IN FORMULATING SITE SPECIFIC ENGINEERING DRAWINGS. NO DESCRIPTION OF MATERIALS OR THIS DESIGN CREATES OR AMOUNTS TO AN EXPRESS WARRANTY, OR IMPLIED WARRANTY OF MERCHANTABILITY OR FITNESS FOR A PARTICULAR PURPOSE.

DRAWN

Don

DATE

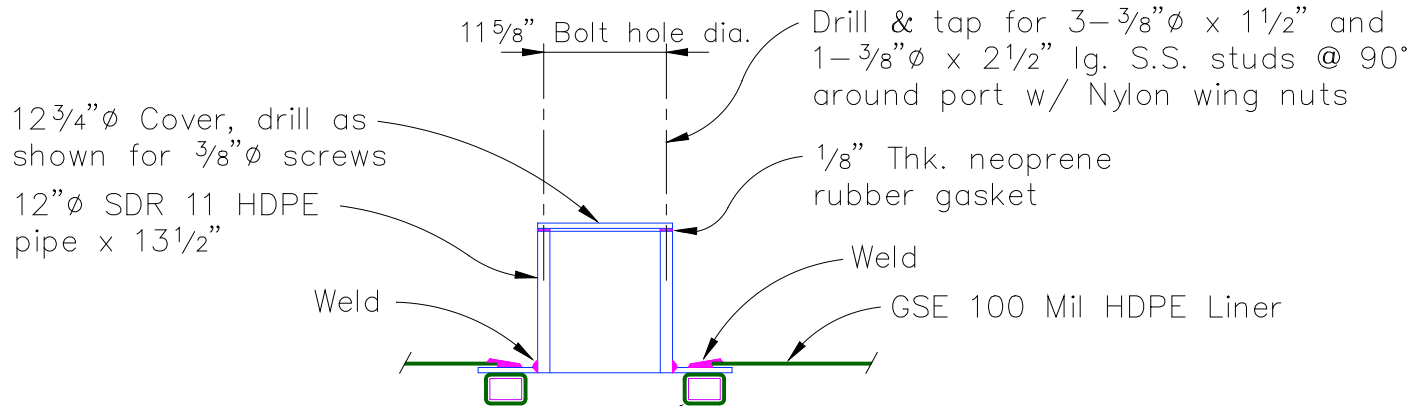
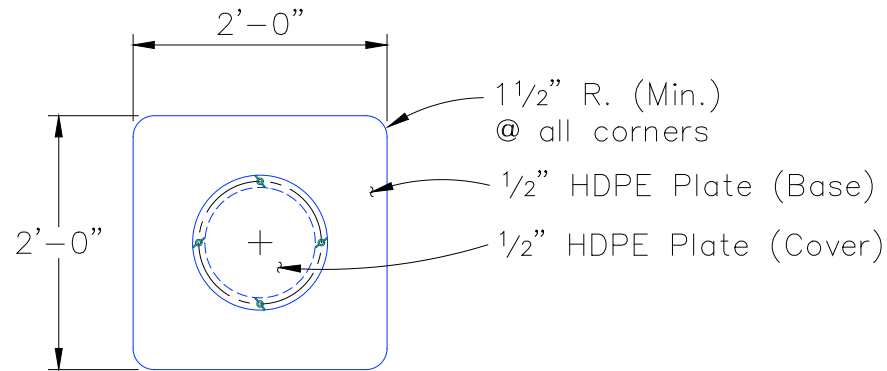
12/15/98

REVISION

1

DWG. NO.

D-FC002



2" x 3" Ethafoam float, encapsulated
w/ 40 mil min. HDPE and welded to
4' x 4' HDPE plate around perimeter

Typical Inspection Hatch

Not to scale



GSE Lining Technology, Inc.

19103 Gundie Road
Houston, Texas 77073-3598
(800)435-2008 / (281)443-8564

NO PART OF THIS DOCUMENT MAY BE REPRODUCED OR DISTRIBUTED IN ANY FORM OR BY ANY MEANS, OR STORED IN A DATA BASE OR RETRIEVAL SYSTEM, WITHOUT THE PRIOR WRITTEN PERMISSION OF GSE Lining Technology, Inc.

DRAWN

Don

DATE

12/15/98

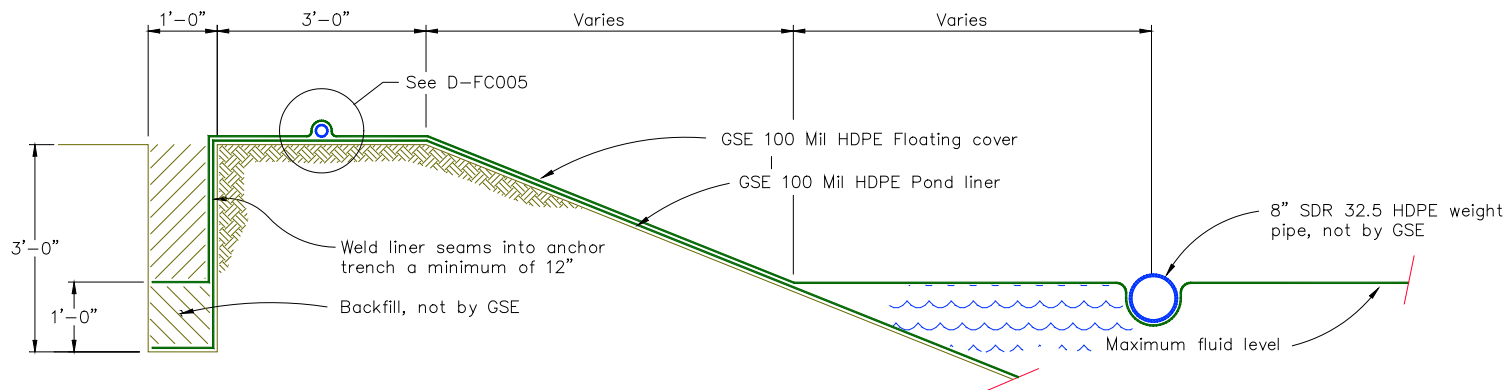
REVISION

1

DWG. NO.

D-FC003

THIS IS A CONCEPTUAL DRAWING SOLELY FOR USE BY ENGINEERS AS A GENERAL GUIDELINE IN FORMULATING SITE SPECIFIC ENGINEERING DRAWINGS. NO DESCRIPTION OF MATERIALS OR THIS DESIGN CREATES OR AMOUNTS TO AN EXPRESS WARRANTY, OR IMPLIED WARRANTY OF MERCHANTABILITY OR FITNESS FOR A PARTICULAR PURPOSE.



Typical Section Thru Perimeter Berm

Not to scale



GSE Lining Technology, Inc.

19103 Gundie Road
Houston, Texas 77073-3598
(800)435-2008 / (281)443-8564

NO PART OF THIS DOCUMENT MAY BE REPRODUCED OR DISTRIBUTED IN ANY FORM OR BY ANY MEANS, OR STORED IN A DATA BASE OR RETRIEVAL SYSTEM, WITHOUT THE PRIOR WRITTEN PERMISSION OF GSE Lining Technology, Inc.

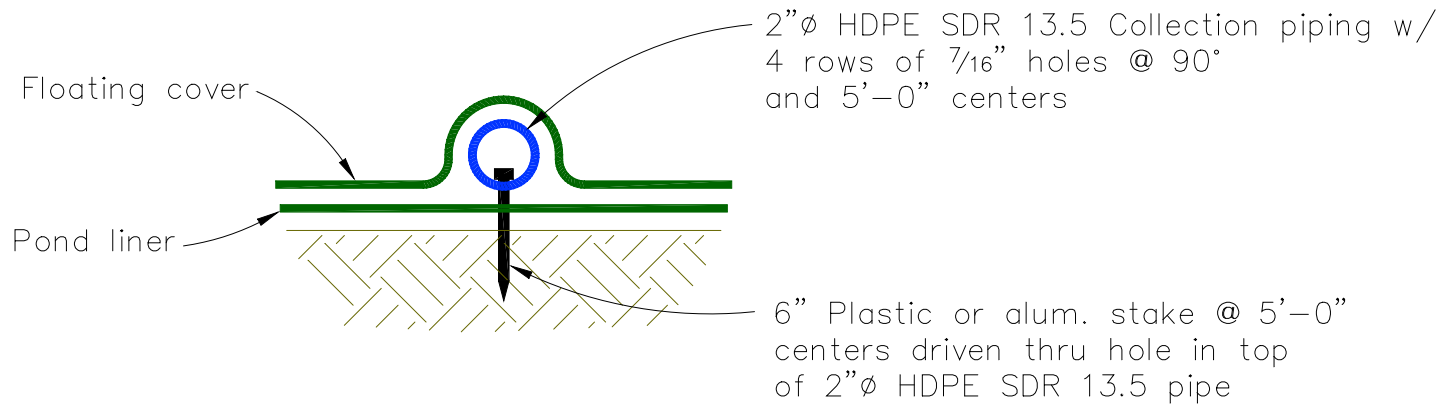
THIS IS A CONCEPTUAL DRAWING SOLELY FOR USE BY ENGINEERS AS A GENERAL GUIDELINE IN FORMULATING SITE SPECIFIC ENGINEERING DRAWINGS. NO DESCRIPTION OF MATERIALS OR THIS DESIGN CREATES OR AMOUNTS TO AN EXPRESS WARRANTY, OR IMPLIED WARRANTY OF MERCHANTABILITY OR FITNESS FOR A PARTICULAR PURPOSE.

DRAWN Don

DATE 12/15/98

REVISION 1

DWG. NO. D-FC004



Gas Collection Pipe Detail

Not to scale



GSE Lining Technology, Inc.
19103 Gundie Road
Houston, Texas 77073-3598
(800)435-2008 / (281)443-8564

NO PART OF THIS DOCUMENT MAY BE REPRODUCED OR DISTRIBUTED IN ANY FORM OR BY ANY MEANS, OR STORED IN A DATA BASE OR RETRIEVAL SYSTEM, WITHOUT THE PRIOR WRITTEN PERMISSION OF GSE Lining Technology, Inc.

THIS IS A CONCEPTUAL DRAWING SOLELY FOR USE BY ENGINEERS AS A GENERAL GUIDELINE IN FORMULATING SITE SPECIFIC ENGINEERING DRAWINGS. NO DESCRIPTION OF MATERIALS OR THIS DESIGN CREATES OR AMOUNTS TO AN EXPRESS WARRANTY, OR IMPLIED WARRANTY OF MERCHANTABILITY OR FITNESS FOR A PARTICULAR PURPOSE.

DRAWN

Don

DATE

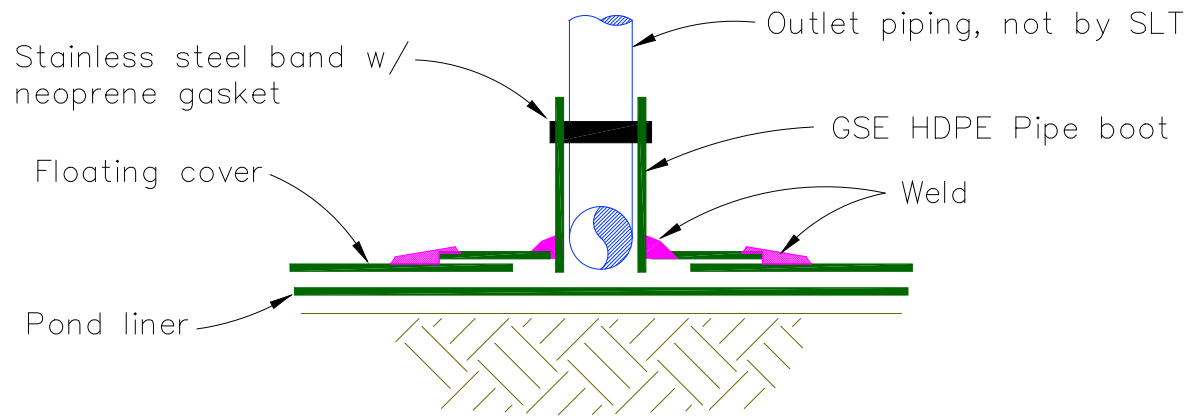
12/15/98

REVISION

1

DWG. NO.

D-FC005



Typical Gas Collection Outlet Pipe

Not to scale



GSE Lining Technology, Inc.
 19103 Gundie Road
 Houston, Texas 77073-3598
 (800)435-2008 / (281)443-8564

NO PART OF THIS DOCUMENT MAY BE REPRODUCED OR DISTRIBUTED IN ANY FORM OR BY ANY MEANS, OR STORED IN A DATA BASE OR RETRIEVAL SYSTEM, WITHOUT THE PRIOR WRITTEN PERMISSION OF GSE Lining Technology, Inc.

THIS IS A CONCEPTUAL DRAWING SOLELY FOR USE BY ENGINEERS AS A GENERAL GUIDELINE IN FORMULATING SITE SPECIFIC ENGINEERING DRAWINGS. NO DESCRIPTION OF MATERIALS OR THIS DESIGN CREATES OR AMOUNTS TO AN EXPRESS WARRANTY, OR IMPLIED WARRANTY OF MERCHANTABILITY OR FITNESS FOR A PARTICULAR PURPOSE.

DRAWN

Don

DATE

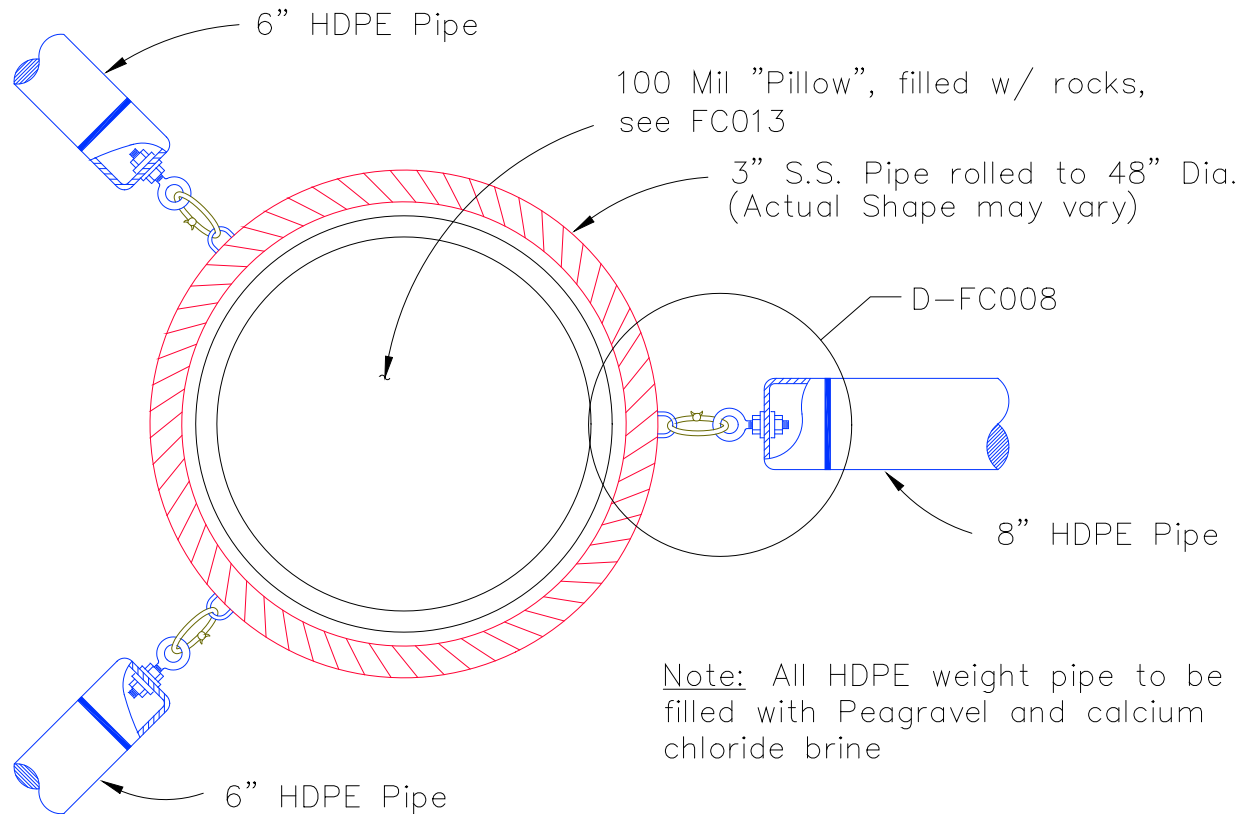
12/15/98

REVISION

1

DWG. NO.

D-FC006



Weighted Pipe Junction

Not to scale



GSE Lining Technology, Inc.

19103 Gundie Road
Houston, Texas 77073-3598
(800)435-2008 / (281)443-8564

NO PART OF THIS DOCUMENT MAY BE REPRODUCED OR DISTRIBUTED IN ANY FORM OR BY ANY MEANS, OR STORED IN A DATA BASE OR RETRIEVAL SYSTEM, WITHOUT THE PRIOR WRITTEN PERMISSION OF GSE Lining Technology, Inc.

THIS IS A CONCEPTUAL DRAWING SOLELY FOR USE BY ENGINEERS AS A GENERAL GUIDELINE IN FORMULATING SITE SPECIFIC ENGINEERING DRAWINGS. NO DESCRIPTION OF MATERIALS OR THIS DESIGN CREATES OR AMOUNTS TO AN EXPRESS WARRANTY, OR IMPLIED WARRANTY OF MERCHANTABILITY OR FITNESS FOR A PARTICULAR PURPOSE.

DRAWN

Don

DATE

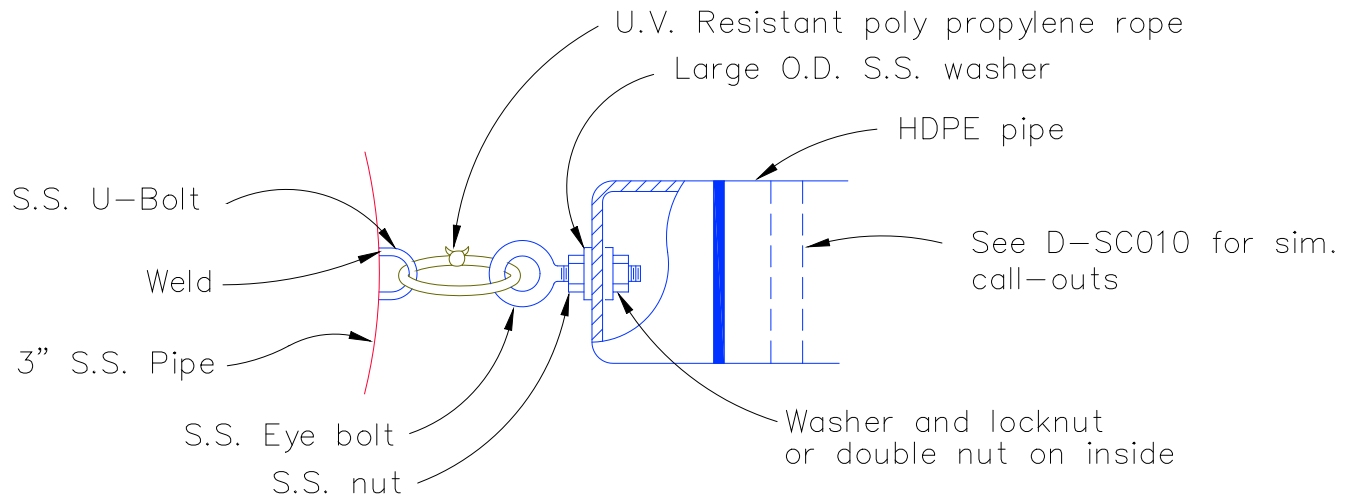
12/15/98

REVISION

1

DWG. NO.

D-FC007



Weighted Pipe Junction Connection

Not to scale



GSE Lining Technology, Inc.

19103 Gundie Road
Houston, Texas 77073-3598
(800)435-2008 / (281)443-8564

NO PART OF THIS DOCUMENT MAY BE REPRODUCED OR DISTRIBUTED IN ANY FORM OR BY ANY MEANS, OR STORED IN A DATA BASE OR RETRIEVAL SYSTEM, WITHOUT THE PRIOR WRITTEN PERMISSION OF GSE Lining Technology, Inc.

THIS IS A CONCEPTUAL DRAWING SOLELY FOR USE BY ENGINEERS AS A GENERAL GUIDELINE IN FORMULATING SITE SPECIFIC ENGINEERING DRAWINGS. NO DESCRIPTION OF MATERIALS OR THIS DESIGN CREATES OR AMOUNTS TO AN EXPRESS WARRANTY, OR IMPLIED WARRANTY OF MERCHANTABILITY OR FITNESS FOR A PARTICULAR PURPOSE.

DRAWN

Don

DATE

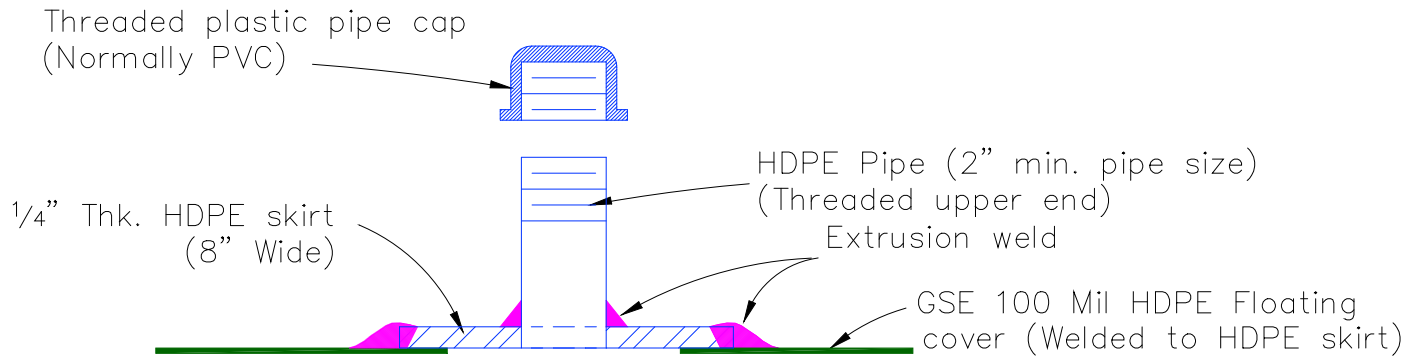
12/15/98

REVISION

1

DWG. NO.

D-FC008



Typical Air Hatch Detail

Not to scale



GSE Lining Technology, Inc.

19103 Gundie Road
Houston, Texas 77073-3598
(800)435-2008 / (281)443-8564

NO PART OF THIS DOCUMENT MAY BE REPRODUCED OR DISTRIBUTED IN ANY FORM OR BY ANY MEANS, OR STORED IN A DATA BASE OR RETRIEVAL SYSTEM, WITHOUT THE PRIOR WRITTEN PERMISSION OF GSE Lining Technology, Inc.

THIS IS A CONCEPTUAL DRAWING SOLELY FOR USE BY ENGINEERS AS A GENERAL GUIDELINE IN FORMULATING SITE SPECIFIC ENGINEERING DRAWINGS. NO DESCRIPTION OF MATERIALS OR THIS DESIGN CREATES OR AMOUNTS TO AN EXPRESS WARRANTY, OR IMPLIED WARRANTY OF MERCHANTABILITY OR FITNESS FOR A PARTICULAR PURPOSE.

DRAWN

Don

DATE

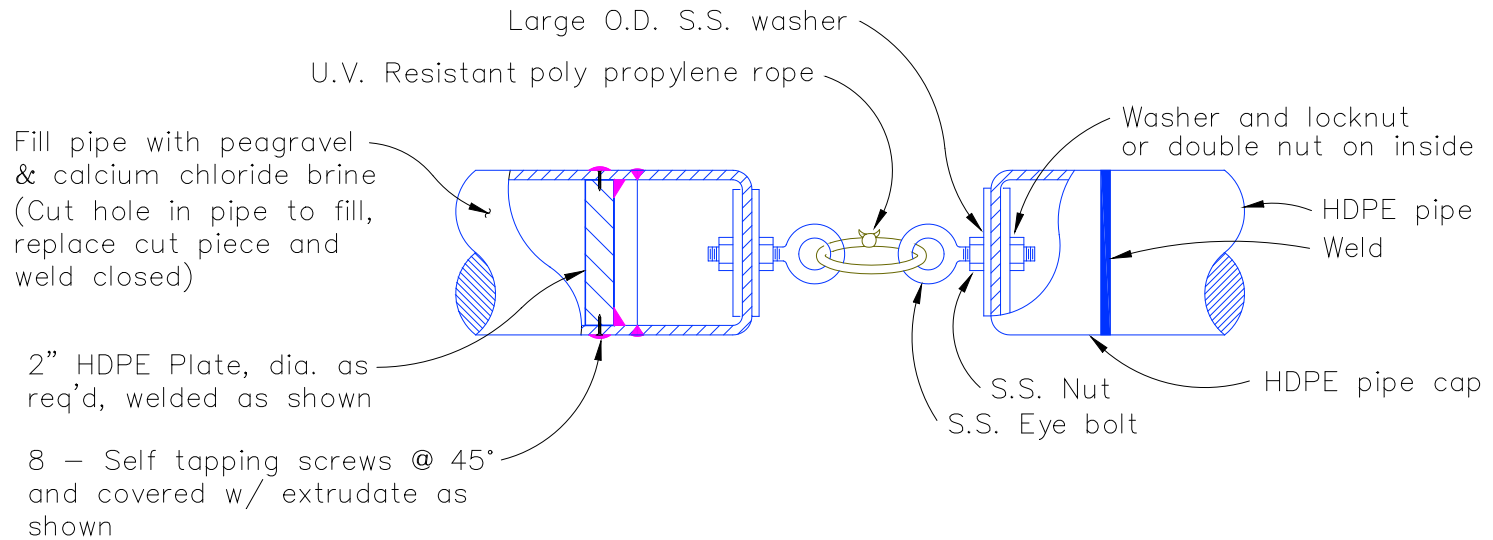
12/15/98

REVISION

1

DWG. NO.

D-FC009



Weighted Pipe Connection Detail

Not to scale



GSE Lining Technology, Inc.
19103 Gundie Road
Houston, Texas 77073-3598
(800)435-2008 / (281)443-8564

NO PART OF THIS DOCUMENT MAY BE REPRODUCED OR DISTRIBUTED IN ANY FORM OR BY ANY MEANS, OR STORED IN A DATA BASE OR RETRIEVAL SYSTEM, WITHOUT THE PRIOR WRITTEN PERMISSION OF GSE Lining Technology, Inc.

THIS IS A CONCEPTUAL DRAWING SOLELY FOR USE BY ENGINEERS AS A GENERAL GUIDELINE IN FORMULATING SITE SPECIFIC ENGINEERING DRAWINGS. NO DESCRIPTION OF MATERIALS OR THIS DESIGN CREATES OR AMOUNTS TO AN EXPRESS WARRANTY, OR IMPLIED WARRANTY OF MERCHANTABILITY OR FITNESS FOR A PARTICULAR PURPOSE.

DRAWN

Don

DATE

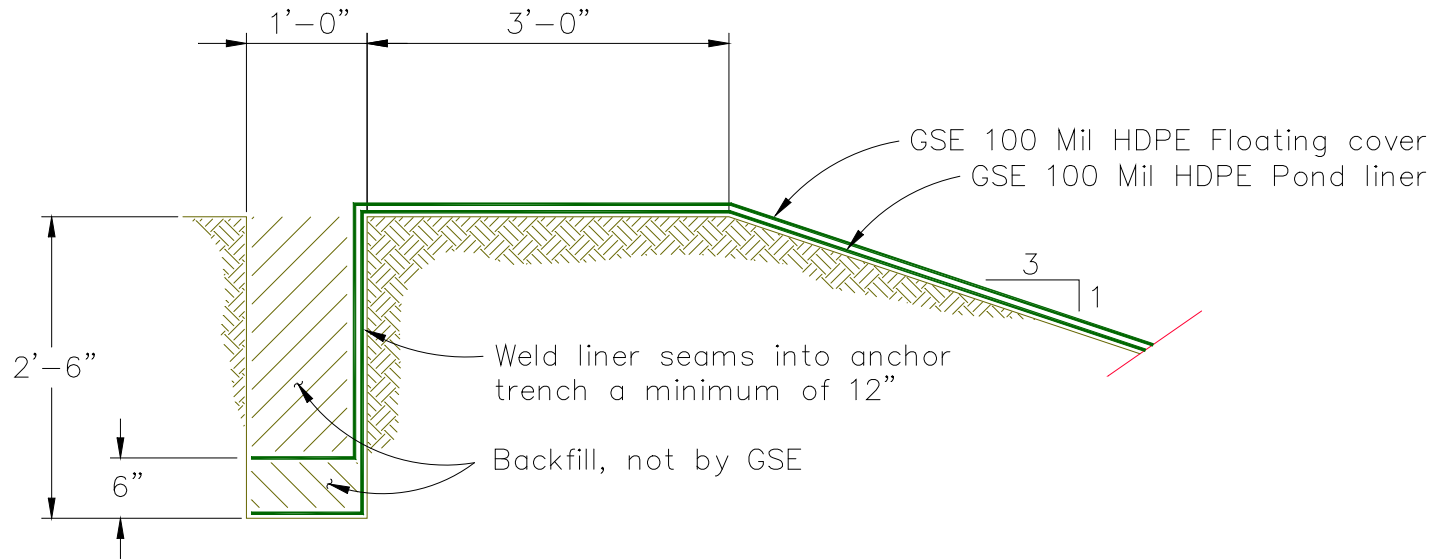
12/15/98

REVISION

1

DWG. NO.

D-FC010



Typical Perimeter Section w/o Collection Piping

Not to scale



GSE Lining Technology, Inc.

19103 Gundie Road
Houston, Texas 77073-3598
(800)435-2008 / (281)443-8564

NO PART OF THIS DOCUMENT MAY BE REPRODUCED OR DISTRIBUTED IN ANY FORM OR BY ANY MEANS, OR STORED IN A DATA BASE OR RETRIEVAL SYSTEM, WITHOUT THE PRIOR WRITTEN PERMISSION OF GSE Lining Technology, Inc.

THIS IS A CONCEPTUAL DRAWING SOLELY FOR USE BY ENGINEERS AS A GENERAL GUIDELINE IN FORMULATING SITE SPECIFIC ENGINEERING DRAWINGS. NO DESCRIPTION OF MATERIALS OR THIS DESIGN CREATES OR AMOUNTS TO AN EXPRESS WARRANTY, OR IMPLIED WARRANTY OF MERCHANTABILITY OR FITNESS FOR A PARTICULAR PURPOSE.

DRAWN

Don

DATE

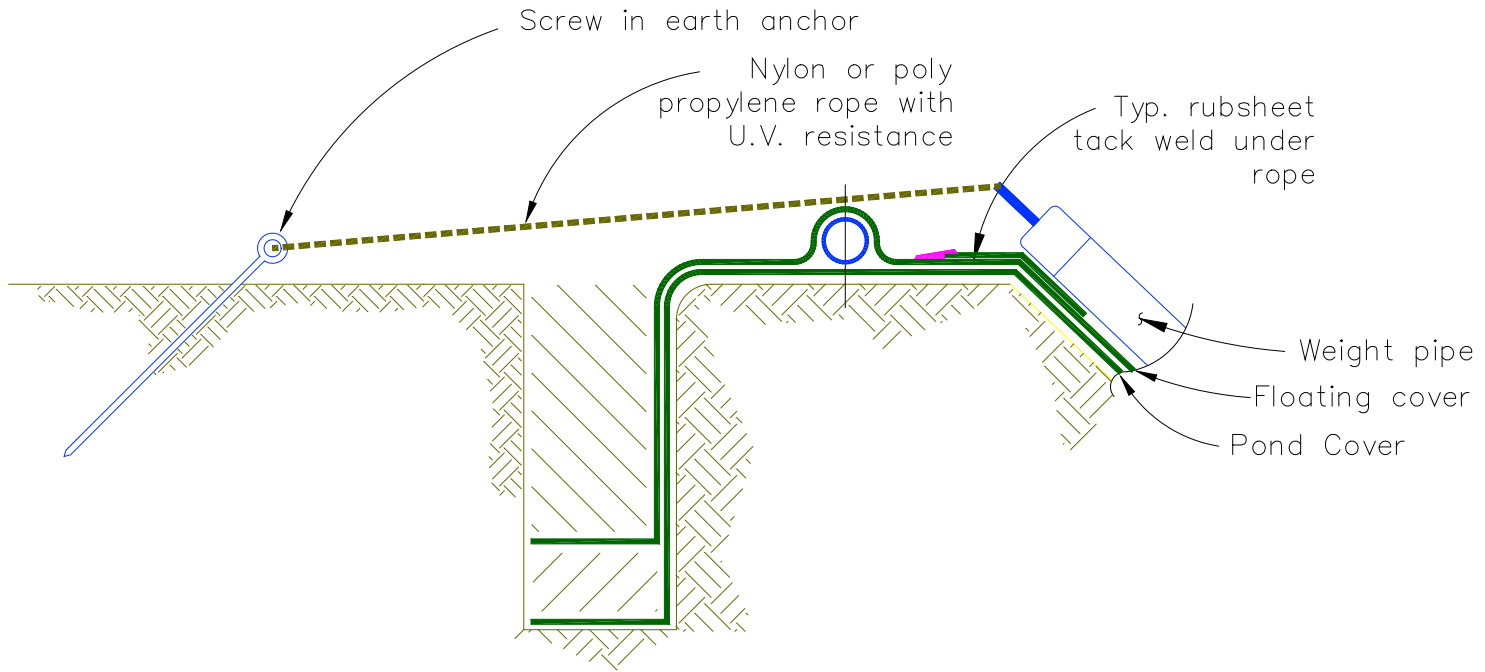
12/15/98

REVISION

1

DWG. NO.

D-FC011



Typical Weight Pipe Anchor

Not to scale



GSE Lining Technology, Inc.

19103 Gundie Road
Houston, Texas 77073-3598
(800)435-2008 / (281)443-8564

NO PART OF THIS DOCUMENT MAY BE REPRODUCED OR DISTRIBUTED IN ANY FORM OR BY ANY MEANS, OR STORED IN A DATA BASE OR RETRIEVAL SYSTEM, WITHOUT THE PRIOR WRITTEN PERMISSION OF GSE Lining Technology, Inc.

THIS IS A CONCEPTUAL DRAWING SOLELY FOR USE BY ENGINEERS AS A GENERAL GUIDELINE IN FORMULATING SITE SPECIFIC ENGINEERING DRAWINGS. NO DESCRIPTION OF MATERIALS OR THIS DESIGN CREATES OR AMOUNTS TO AN EXPRESS WARRANTY, OR IMPLIED WARRANTY OF MERCHANTABILITY OR FITNESS FOR A PARTICULAR PURPOSE.

DRAWN

Don

DATE

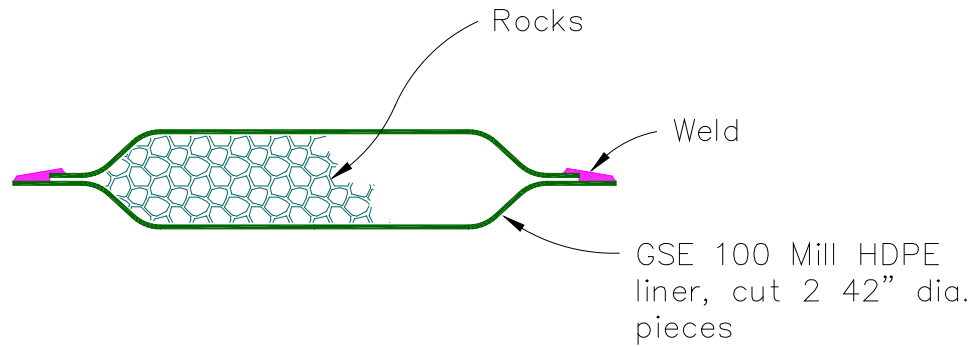
12/15/98

REVISION

1

DWG. NO.

D-FC012



Weight Pipe Junction Pillow Detail

Not to scale



GSE Lining Technology, Inc.

19103 Gundie Road
Houston, Texas 77073-3598
(800)435-2008 / (281)443-8564

NO PART OF THIS DOCUMENT MAY BE REPRODUCED OR DISTRIBUTED IN ANY FORM OR BY ANY MEANS, OR STORED IN A DATA BASE OR RETRIEVAL SYSTEM, WITHOUT THE PRIOR WRITTEN PERMISSION OF GSE Lining Technology, Inc.

THIS IS A CONCEPTUAL DRAWING SOLELY FOR USE BY ENGINEERS AS A GENERAL GUIDELINE IN FORMULATING SITE SPECIFIC ENGINEERING DRAWINGS. NO DESCRIPTION OF MATERIALS OR THIS DESIGN CREATES OR AMOUNTS TO AN EXPRESS WARRANTY, OR IMPLIED WARRANTY OF MERCHANTABILITY OR FITNESS FOR A PARTICULAR PURPOSE.

DRAWN

Don

DATE

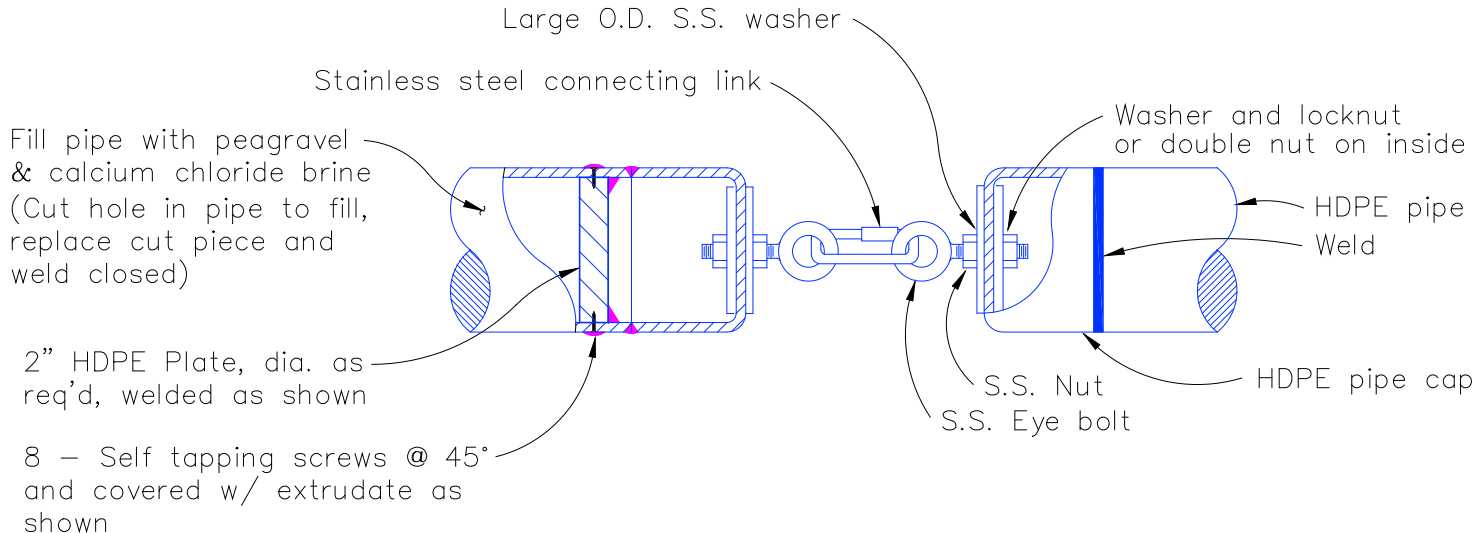
12/15/98

REVISION

1

DWG. NO.

D-FC013



Weighted Pipe Junction

Not to scale



GSE Lining Technology, Inc.
 19103 Gundie Road
 Houston, Texas 77073-3598
 (800)435-2008 / (281)443-8564

NO PART OF THIS DOCUMENT MAY BE REPRODUCED OR DISTRIBUTED IN ANY FORM OR BY ANY MEANS, OR STORED IN A DATA BASE OR RETRIEVAL SYSTEM, WITHOUT THE PRIOR WRITTEN PERMISSION OF GSE Lining Technology, Inc.

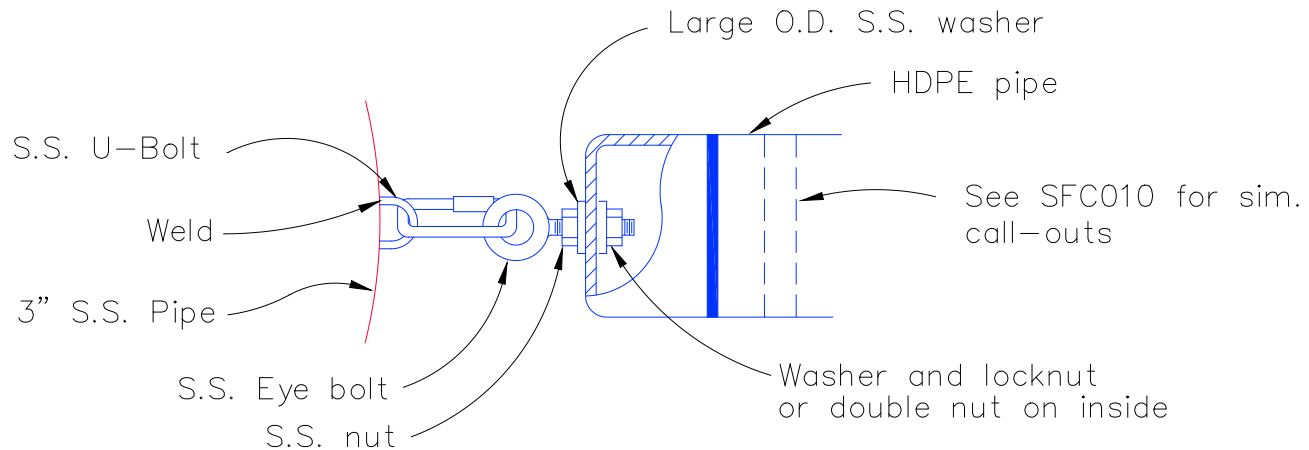
THIS IS A CONCEPTUAL DRAWING SOLELY FOR USE BY ENGINEERS AS A GENERAL GUIDELINE IN FORMULATING SITE SPECIFIC ENGINEERING DRAWINGS. NO DESCRIPTION OF MATERIALS OR THIS DESIGN CREATES OR AMOUNTS TO AN EXPRESS WARRANTY, OR IMPLIED WARRANTY OF MERCHANTABILITY OR FITNESS FOR A PARTICULAR PURPOSE.

DRAWN Don

DATE 12/15/98

REVISION 1

DWG. NO. D-FC014



Weighted Pipe Junction Connection

Not to scale



GSE Lining Technology, Inc.

19103 Gundie Road
Houston, Texas 77073-3598
(800)435-2008 / (281)443-8564

NO PART OF THIS DOCUMENT MAY BE REPRODUCED OR DISTRIBUTED IN ANY FORM OR BY ANY MEANS, OR STORED IN A DATA BASE OR RETRIEVAL SYSTEM, WITHOUT THE PRIOR WRITTEN PERMISSION OF GSE Lining Technology, Inc.

THIS IS A CONCEPTUAL DRAWING SOLELY FOR USE BY ENGINEERS AS A GENERAL GUIDELINE IN FORMULATING SITE SPECIFIC ENGINEERING DRAWINGS. NO DESCRIPTION OF MATERIALS OR THIS DESIGN CREATES OR AMOUNTS TO AN EXPRESS WARRANTY, OR IMPLIED WARRANTY OF MERCHANTABILITY OR FITNESS FOR A PARTICULAR PURPOSE.

DRAWN

Don

DATE

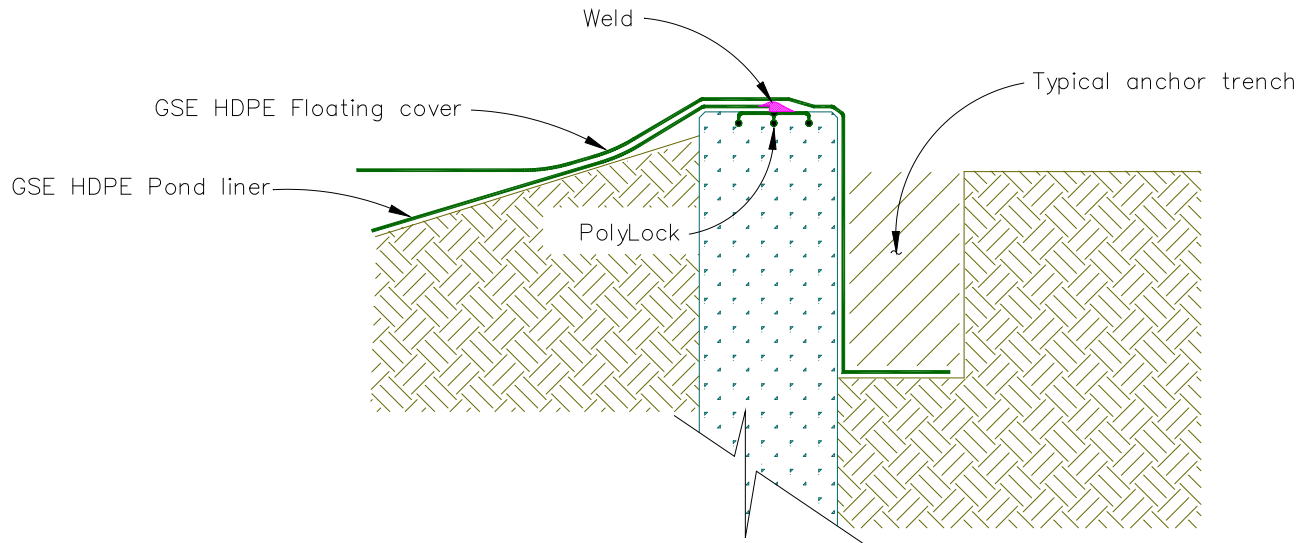
12/15/98

REVISION

1

DWG. NO.

D-FC015



Floating cover Perimeter Gas Generation Containment

Not to scale



GSE Lining Technology, Inc.

19103 Gundie Road
Houston, Texas 77073-3598
(800)435-2008 / (281)443-8564

NO PART OF THIS DOCUMENT MAY BE REPRODUCED OR DISTRIBUTED IN ANY FORM OR BY ANY MEANS, OR STORED IN A DATA BASE OR RETRIEVAL SYSTEM, WITHOUT THE PRIOR WRITTEN PERMISSION OF GSE Lining Technology, Inc.

THIS IS A CONCEPTUAL DRAWING SOLELY FOR USE BY ENGINEERS AS A GENERAL GUIDELINE IN FORMULATING SITE SPECIFIC ENGINEERING DRAWINGS. NO DESCRIPTION OF MATERIALS OR THIS DESIGN CREATES OR AMOUNTS TO AN EXPRESS WARRANTY, OR IMPLIED WARRANTY OF MERCHANTABILITY OR FITNESS FOR A PARTICULAR PURPOSE.

DRAWN

Don

DATE

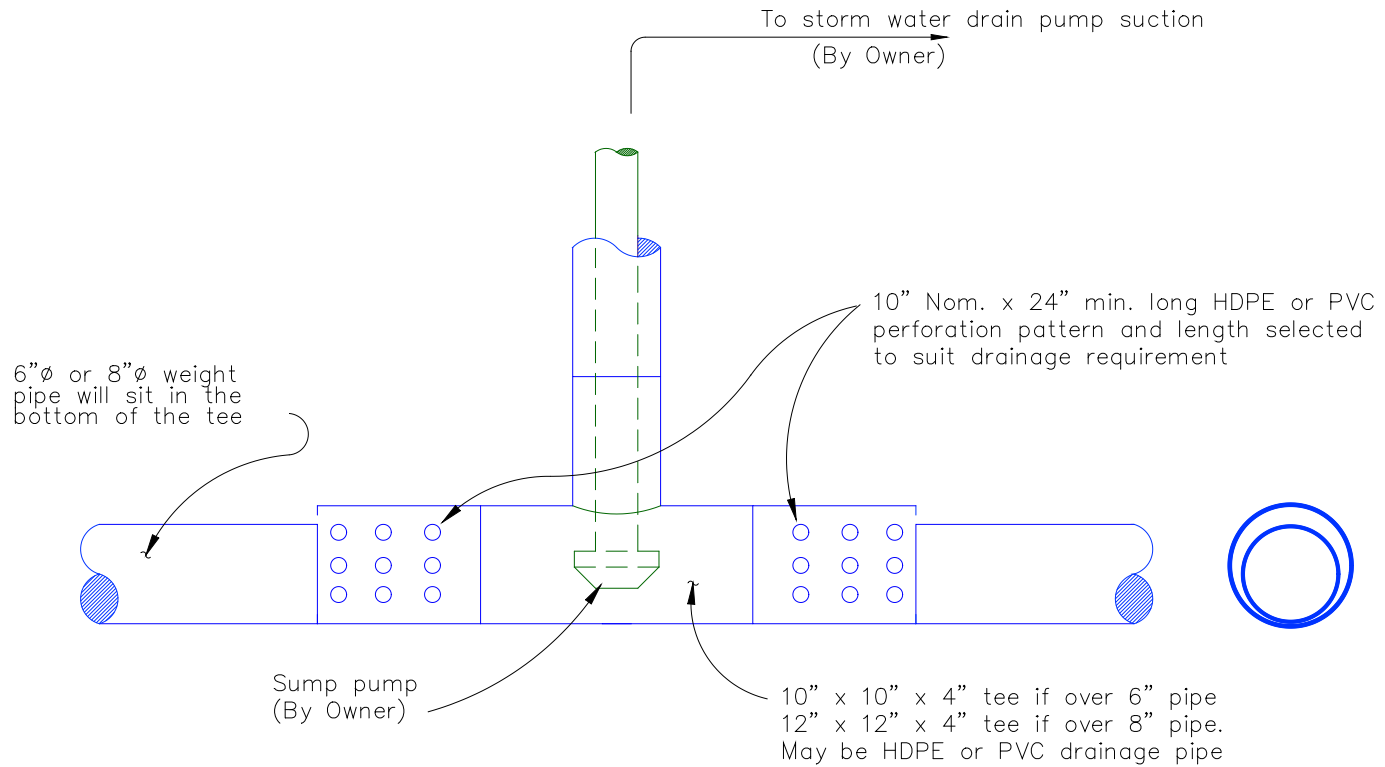
12/15/98

REVISION

1

DWG. NO.

D-FC016



Floating Cover Typical Storm Water Removal Pump Sump

Not to scale



GSE Lining Technology, Inc.

19103 Gundie Road
Houston, Texas 77073-3598
(800)435-2008 / (281)443-8564

NO PART OF THIS DOCUMENT MAY BE REPRODUCED OR DISTRIBUTED IN ANY FORM OR BY ANY MEANS, OR STORED IN A DATA BASE OR RETRIEVAL SYSTEM, WITHOUT THE PRIOR WRITTEN PERMISSION OF GSE Lining Technology, Inc.

THIS IS A CONCEPTUAL DRAWING SOLELY FOR USE BY ENGINEERS AS A GENERAL GUIDELINE IN FORMULATING SITE SPECIFIC ENGINEERING DRAWINGS. NO DESCRIPTION OF MATERIALS OR THIS DESIGN CREATES OR AMOUNTS TO AN EXPRESS WARRANTY, OR IMPLIED WARRANTY OF MERCHANTABILITY OR FITNESS FOR A PARTICULAR PURPOSE.

DRAWN

Don

DATE

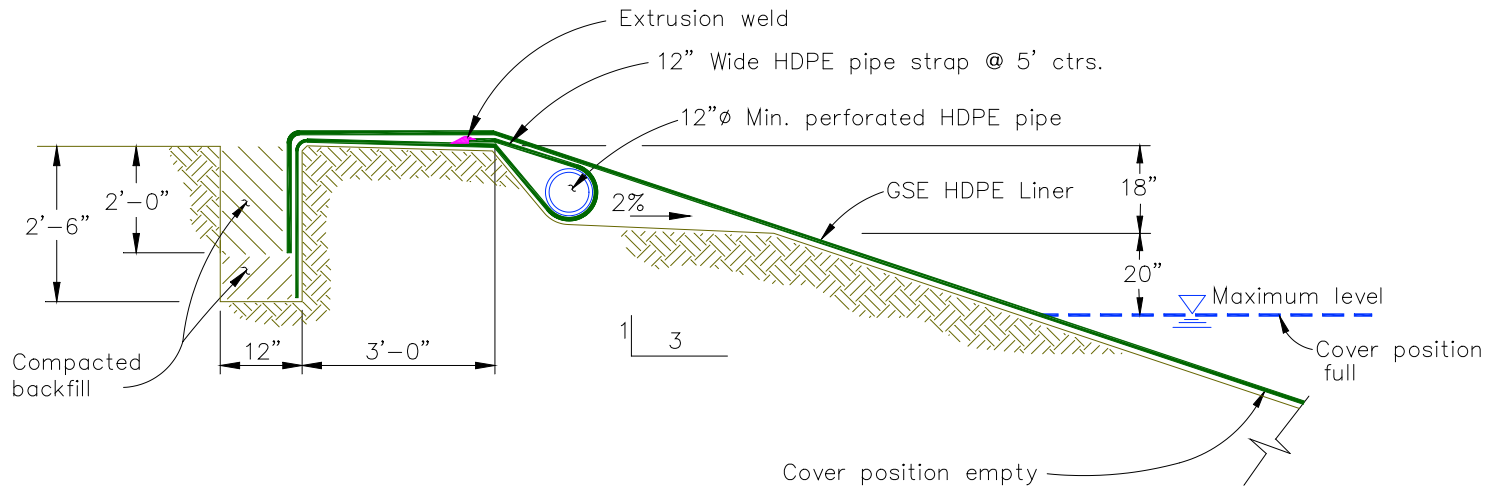
12/15/98

REVISION

1

DWG. NO.

D-FC017



Pond Perimeter w/ Gas Collection Pipe

Not to scale



GSE Lining Technology, Inc.

19103 Gundie Road
Houston, Texas 77073-3598
(800)435-2008 / (281)443-8564

NO PART OF THIS DOCUMENT MAY BE REPRODUCED OR DISTRIBUTED IN ANY FORM OR BY ANY MEANS, OR STORED IN A DATA BASE OR RETRIEVAL SYSTEM, WITHOUT THE PRIOR WRITTEN PERMISSION OF GSE Lining Technology, Inc.

THIS IS A CONCEPTUAL DRAWING SOLELY FOR USE BY ENGINEERS AS A GENERAL GUIDELINE IN FORMULATING SITE SPECIFIC ENGINEERING DRAWINGS. NO DESCRIPTION OF MATERIALS OR THIS DESIGN CREATES OR AMOUNTS TO AN EXPRESS WARRANTY, OR IMPLIED WARRANTY OF MERCHANTABILITY OR FITNESS FOR A PARTICULAR PURPOSE.

DRAWN

Don

DATE

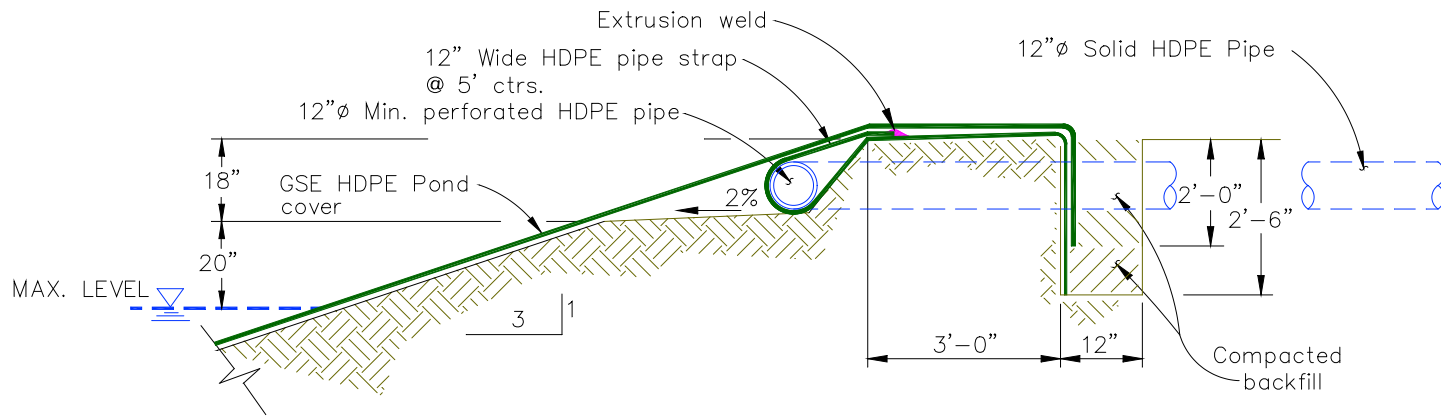
12/15/98

REVISION

1

DWG. NO.

D-FC018



Typical Gas Collection Pipe Arrangement

Not to scale



GSE Lining Technology, Inc.

19103 Gundie Road
Houston, Texas 77073-3598
(800)435-2008 / (281)443-8564

NO PART OF THIS DOCUMENT MAY BE REPRODUCED OR DISTRIBUTED IN ANY FORM OR BY ANY MEANS, OR STORED IN A DATA BASE OR RETRIEVAL SYSTEM, WITHOUT THE PRIOR WRITTEN PERMISSION OF GSE Lining Technology, Inc.

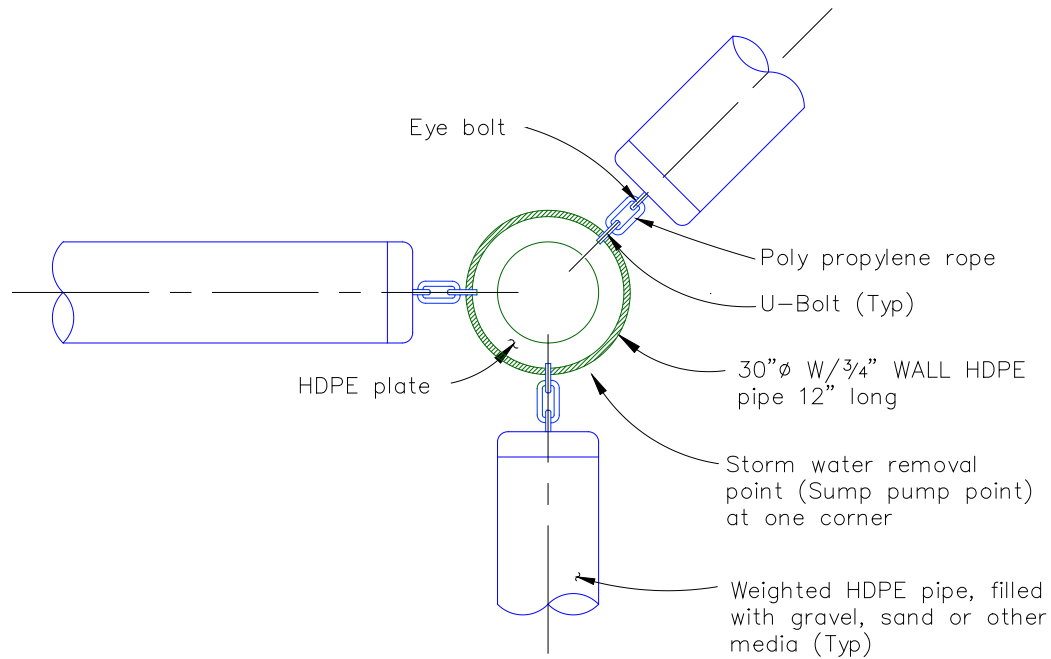
THIS IS A CONCEPTUAL DRAWING SOLELY FOR USE BY ENGINEERS AS A GENERAL GUIDELINE IN FORMULATING SITE SPECIFIC ENGINEERING DRAWINGS. NO DESCRIPTION OF MATERIALS OR THIS DESIGN CREATES OR AMOUNTS TO AN EXPRESS WARRANTY, OR IMPLIED WARRANTY OF MERCHANTABILITY OR FITNESS FOR A PARTICULAR PURPOSE.

DRAWN Don

DATE 12/15/98

REVISION 1

DWG. NO. D-FC019



Weighted Pipe Junction Detail

Not to scale



GSE Lining Technology, Inc.

19103 Gundie Road
Houston, Texas 77073-3598
(800)435-2008 / (281)443-8564

NO PART OF THIS DOCUMENT MAY BE REPRODUCED OR DISTRIBUTED IN ANY FORM OR BY ANY MEANS, OR STORED IN A DATA BASE OR RETRIEVAL SYSTEM, WITHOUT THE PRIOR WRITTEN PERMISSION OF GSE Lining Technology, Inc.

THIS IS A CONCEPTUAL DRAWING SOLELY FOR USE BY ENGINEERS AS A GENERAL GUIDELINE IN FORMULATING SITE SPECIFIC ENGINEERING DRAWINGS. NO DESCRIPTION OF MATERIALS OR THIS DESIGN CREATES OR AMOUNTS TO AN EXPRESS WARRANTY, OR IMPLIED WARRANTY OF MERCHANTABILITY OR FITNESS FOR A PARTICULAR PURPOSE.

DRAWN

Don

DATE

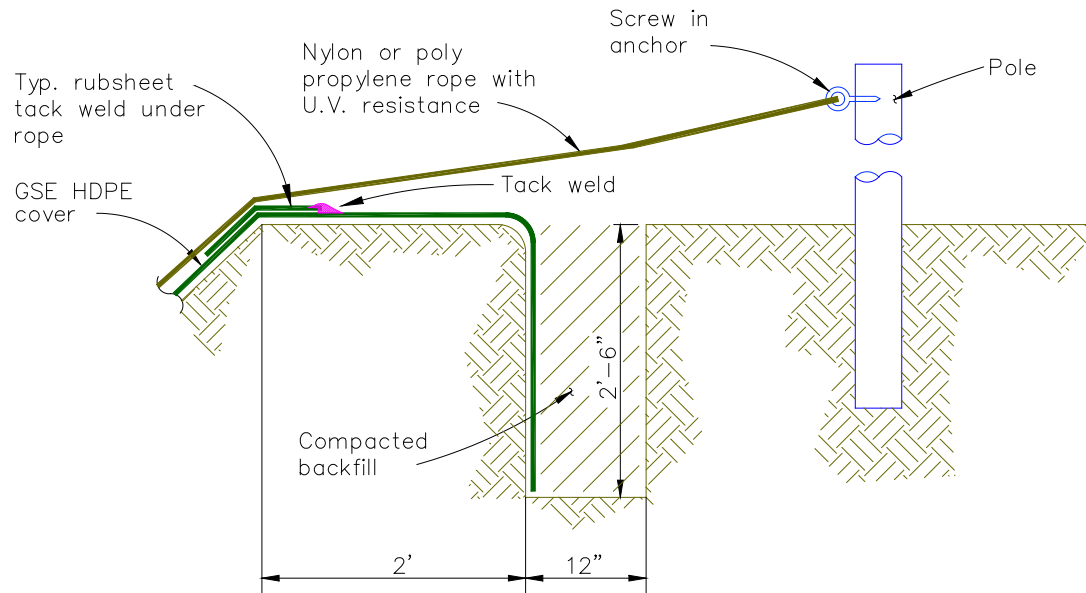
12/15/98

REVISION

1

DWG. NO.

D-FC020



Typ. Anchor Details for Weighted Pipe

Not to scale



GSE Lining Technology, Inc.

19103 Gundie Road
Houston, Texas 77073-3598
(800)435-2008 / (281)443-8564

NO PART OF THIS DOCUMENT MAY BE REPRODUCED OR DISTRIBUTED IN ANY FORM OR BY ANY MEANS, OR STORED IN A DATA BASE OR RETRIEVAL SYSTEM, WITHOUT THE PRIOR WRITTEN PERMISSION OF GSE Lining Technology, Inc.

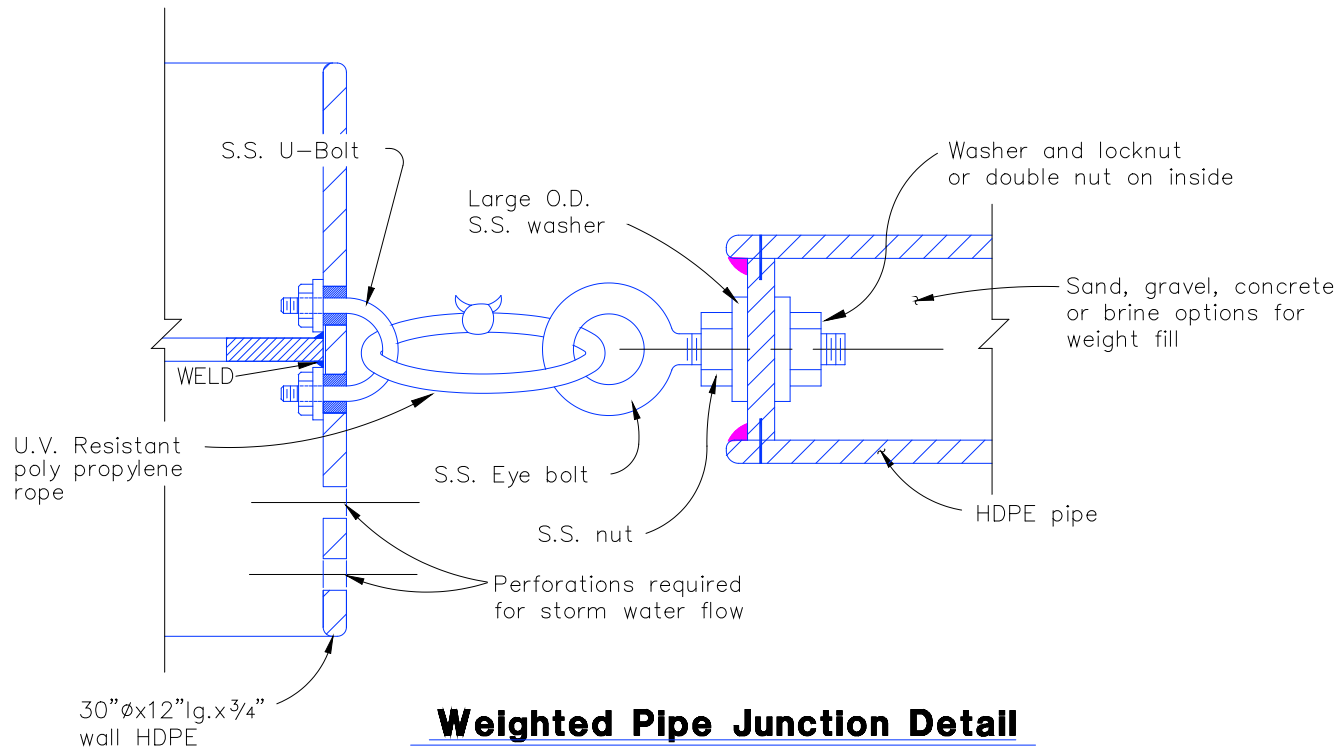
THIS IS A CONCEPTUAL DRAWING SOLELY FOR USE BY ENGINEERS AS A GENERAL GUIDELINE IN FORMULATING SITE SPECIFIC ENGINEERING DRAWINGS. NO DESCRIPTION OF MATERIALS OR THIS DESIGN CREATES OR AMOUNTS TO AN EXPRESS WARRANTY, OR IMPLIED WARRANTY OF MERCHANTABILITY OR FITNESS FOR A PARTICULAR PURPOSE.

DRAWN Don

DATE 12/15/98

REVISION 1

DWG. NO. D-FC021



Not to scale



GSE Lining Technology, Inc.

19103 Gundie Road
Houston, Texas 77073-3598
(800)435-2008 / (281)443-8564

NO PART OF THIS DOCUMENT MAY BE REPRODUCED OR DISTRIBUTED IN ANY FORM OR BY ANY MEANS, OR STORED IN A DATA BASE OR RETRIEVAL SYSTEM, WITHOUT THE PRIOR WRITTEN PERMISSION OF GSE Lining Technology, Inc.

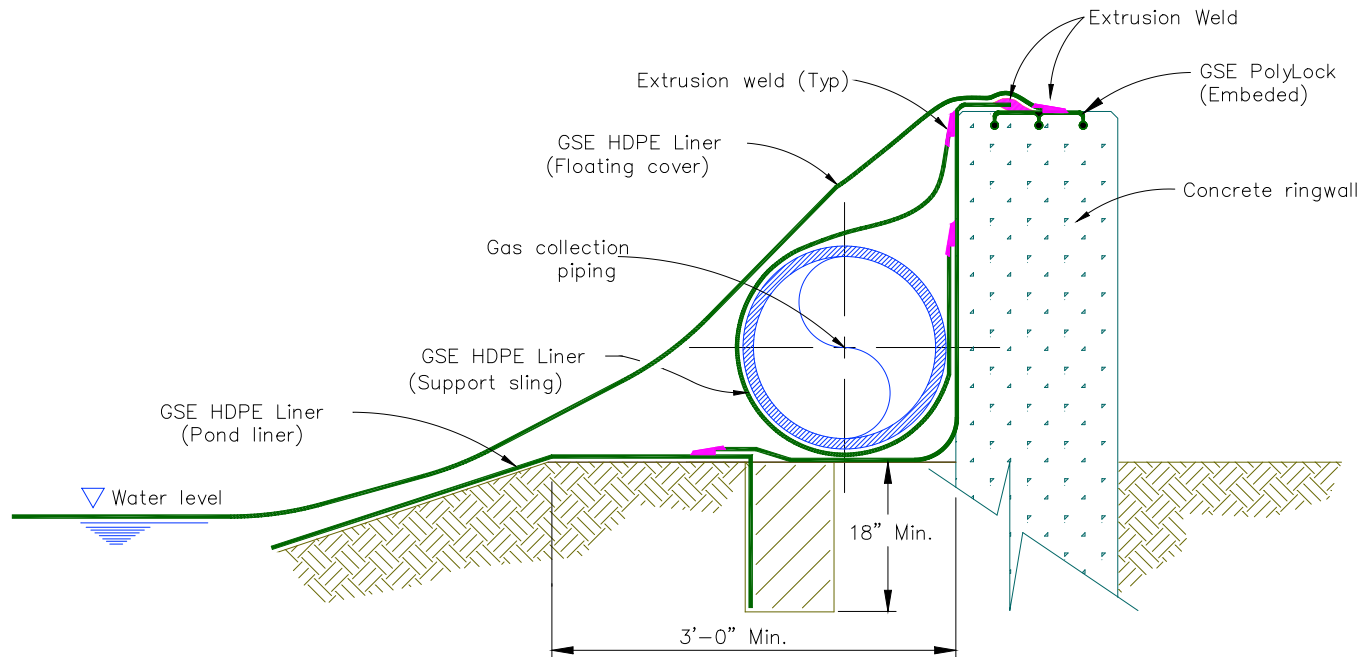
THIS IS A CONCEPTUAL DRAWING SOLELY FOR USE BY ENGINEERS AS A GENERAL GUIDELINE IN FORMULATING SITE SPECIFIC ENGINEERING DRAWINGS. NO DESCRIPTION OF MATERIALS OR THIS DESIGN CREATES OR AMOUNTS TO AN EXPRESS WARRANTY, OR IMPLIED WARRANTY OF MERCHANTABILITY OR FITNESS FOR A PARTICULAR PURPOSE.

DRAWN Don

DATE 12/15/98

REVISION 1

DWG. NO. D-FC022



Floating Cover and Pond Liner
Typical Gas Collection Pipe Arrangement

Not to scale



GSE Lining Technology, Inc.

19103 Gundie Road
 Houston, Texas 77073-3598
 (800)435-2008 / (281)443-8564

NO PART OF THIS DOCUMENT MAY BE REPRODUCED OR DISTRIBUTED IN ANY FORM OR BY ANY MEANS, OR STORED IN A DATA BASE OR RETRIEVAL SYSTEM, WITHOUT THE PRIOR WRITTEN PERMISSION OF GSE Lining Technology, Inc.

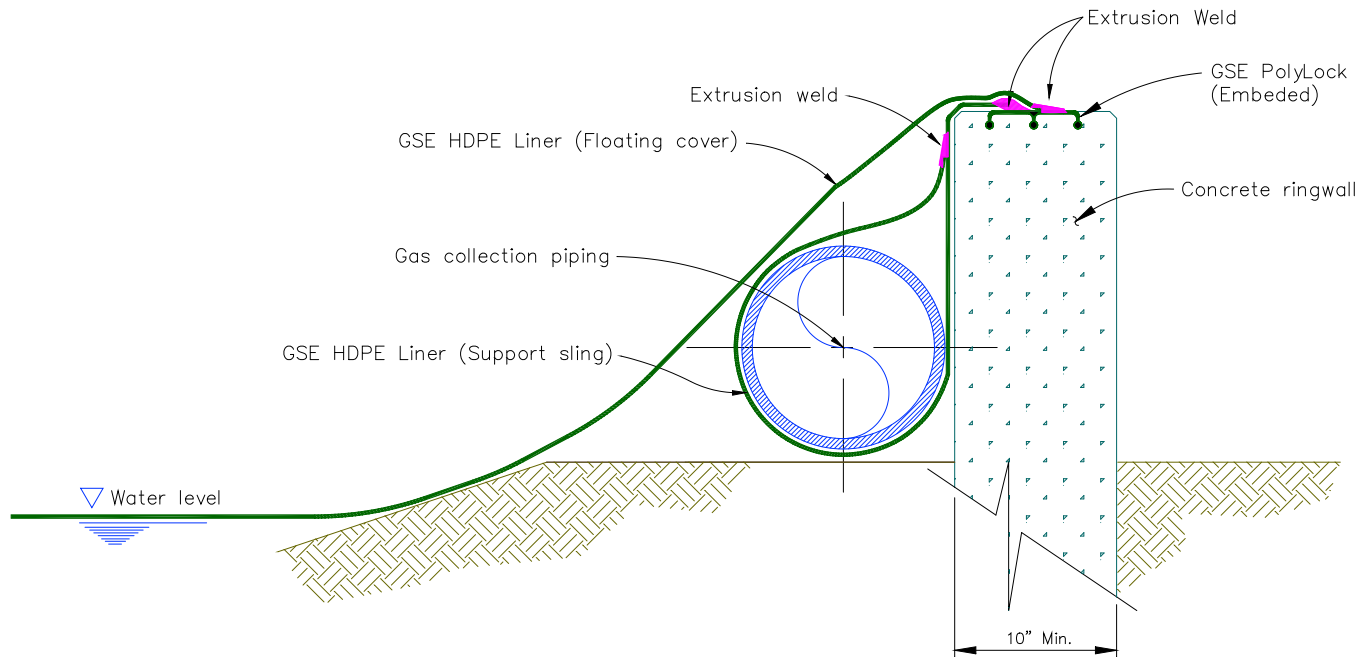
THIS IS A CONCEPTUAL DRAWING SOLELY FOR USE BY ENGINEERS AS A GENERAL GUIDELINE IN FORMULATING SITE SPECIFIC ENGINEERING DRAWINGS. NO DESCRIPTION OF MATERIALS OR THIS DESIGN CREATES OR AMOUNTS TO AN EXPRESS WARRANTY, OR IMPLIED WARRANTY OF MERCHANTABILITY OR FITNESS FOR A PARTICULAR PURPOSE.

DRAWN Don

DATE 12/15/98

REVISION 1

DWG. NO. D-FC023



TYPICAL GAS COLLECTION PIPE ARRANGEMENT

Not to scale



GSE Lining Technology, Inc.

19103 Gundie Road
Houston, Texas 77073-3598
(800)435-2008 / (281)443-8564

NO PART OF THIS DOCUMENT MAY BE REPRODUCED OR DISTRIBUTED IN ANY FORM OR BY ANY MEANS, OR STORED IN A DATA BASE OR RETRIEVAL SYSTEM, WITHOUT THE PRIOR WRITTEN PERMISSION OF GSE Lining Technology, Inc.

THIS IS A CONCEPTUAL DRAWING SOLELY FOR USE BY ENGINEERS AS A GENERAL GUIDELINE IN FORMULATING SITE SPECIFIC ENGINEERING DRAWINGS. NO DESCRIPTION OF MATERIALS OR THIS DESIGN CREATES OR AMOUNTS TO AN EXPRESS WARRANTY, OR IMPLIED WARRANTY OF MERCHANTABILITY OR FITNESS FOR A PARTICULAR PURPOSE.

DRAWN

Don

DATE

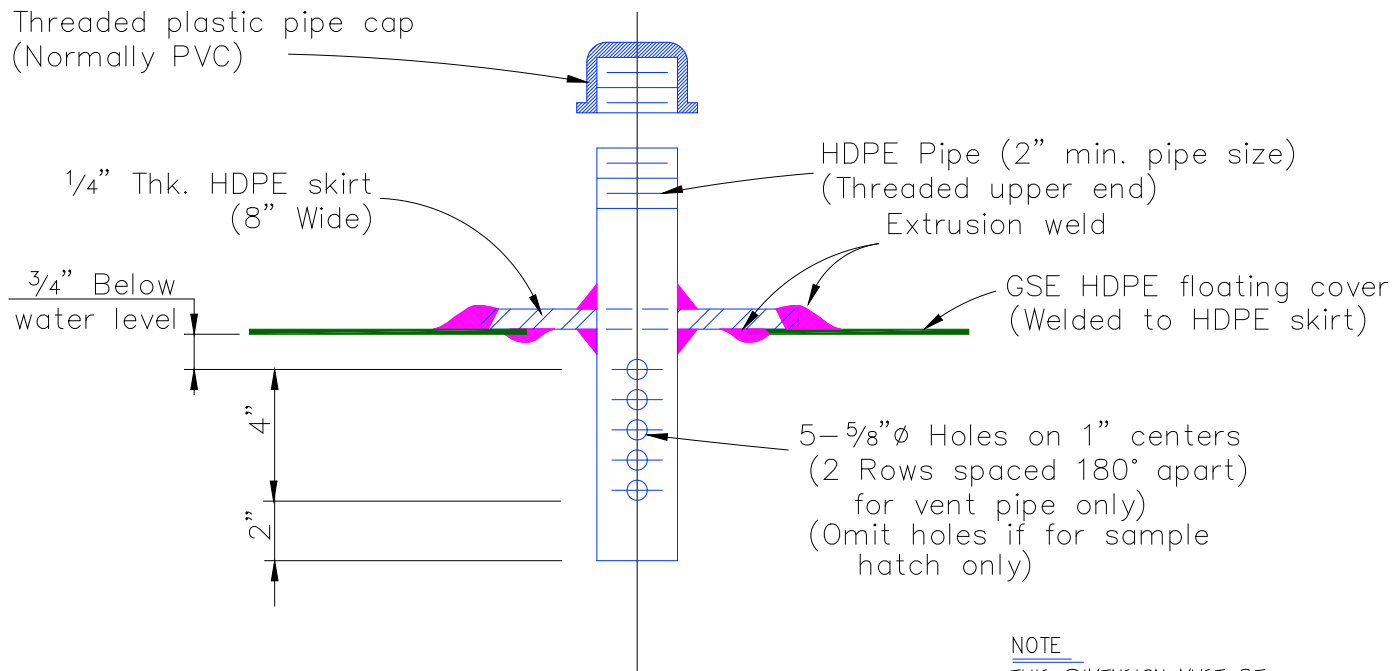
12/15/98

REVISION

1

DWG. NO.

D-FC024



NOTE

*THIS DIMENSION MUST BE
GREATER THAN THE MINIMUM
(NEGATIVE) PRESSURE APPLIED
BY THE GAS REMOVAL SYSTEM.*

Typical Gas Vent or Sampling Hatch

(Available in various Pipe Diameters)
Not to scale



GSE Lining Technology, Inc.

19103 Gundie Road
Houston, Texas 77073-3598
(800)435-2008 / (281)443-8564

NO PART OF THIS DOCUMENT MAY BE REPRODUCED OR DISTRIBUTED IN ANY FORM OR BY ANY MEANS, OR STORED IN A DATA BASE OR RETRIEVAL SYSTEM, WITHOUT THE PRIOR WRITTEN PERMISSION OF GSE Lining Technology, Inc.

THIS IS A CONCEPTUAL DRAWING SOLELY FOR USE BY ENGINEERS AS A GENERAL GUIDELINE IN FORMULATING SITE SPECIFIC ENGINEERING DRAWINGS. NO DESCRIPTION OF MATERIALS OR THIS DESIGN CREATES OR AMOUNTS TO AN EXPRESS WARRANTY, OR IMPLIED WARRANTY OF MERCHANTABILITY OR FITNESS FOR A PARTICULAR PURPOSE.

DRAWN

Don

DATE

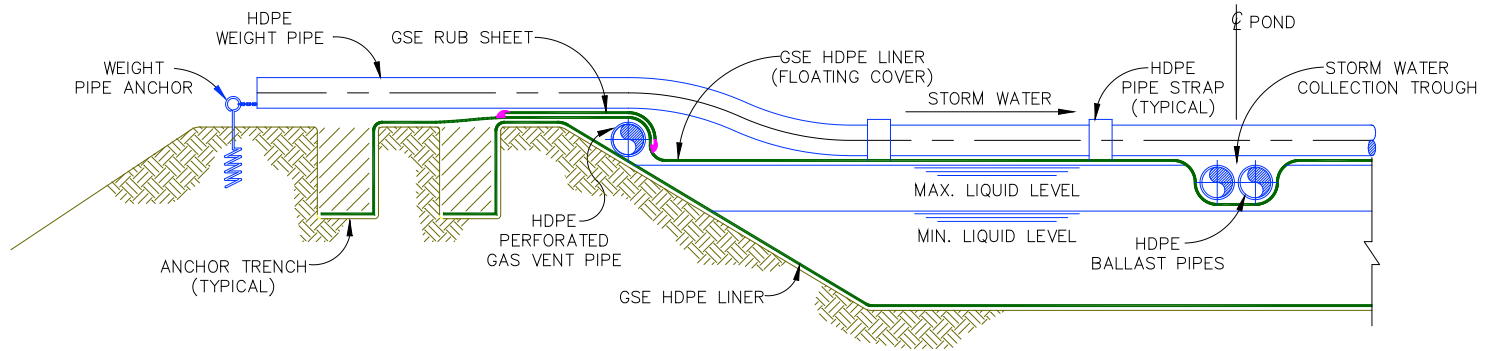
12/15/98

REVISION

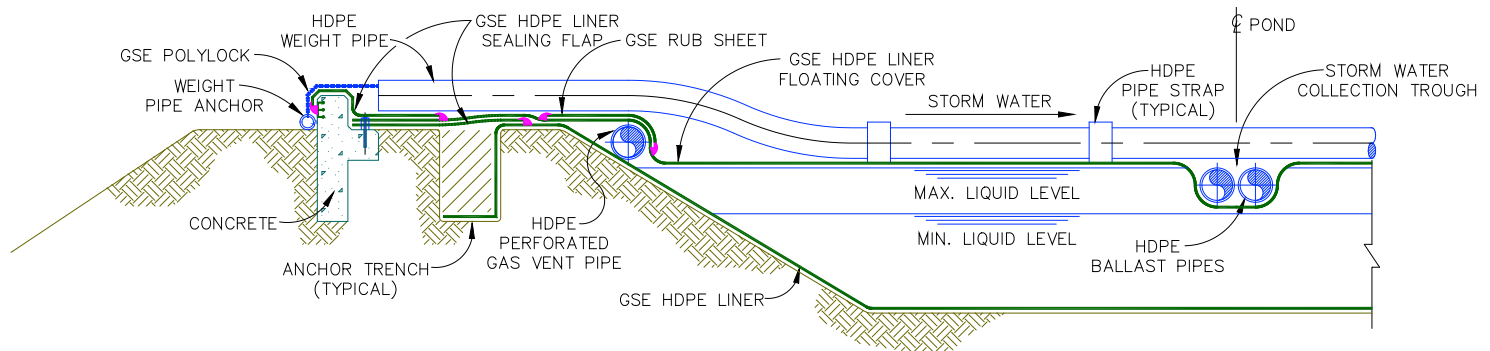
1

DWG. NO.

D-FC025



TYPICAL FLOATING COVER SECTION



ALTERNATE FLOATING COVER SECTION

NOTE:
OTHER ALTERNATE PERIMETER ANCHOR ARRANGEMENTS ARE POSSIBLE TO SERVE SPECIFIC APPLICATIONS.



GSE Lining Technology, Inc.

19103 Gundie Road
Houston, Texas 77073-3598
(800)435-2008 / (281)443-8564

NO PART OF THIS DOCUMENT MAY BE REPRODUCED OR DISTRIBUTED IN ANY FORM OR BY ANY MEANS, OR STORED IN A DATA BASE OR RETRIEVAL SYSTEM, WITHOUT THE PRIOR WRITTEN PERMISSION OF GSE Lining Technology, Inc.

THIS IS A CONCEPTUAL DRAWING SOLELY FOR USE BY ENGINEERS AS A GENERAL GUIDELINE IN FORMULATING SITE SPECIFIC ENGINEERING DRAWINGS. NO DESCRIPTION OF MATERIALS OR THIS DESIGN CREATES OR AMOUNTS TO AN EXPRESS WARRANTY, OR IMPLIED WARRANTY OF MERCHANTABILITY OR FITNESS FOR A PARTICULAR PURPOSE.

DRAWN

Don

DATE

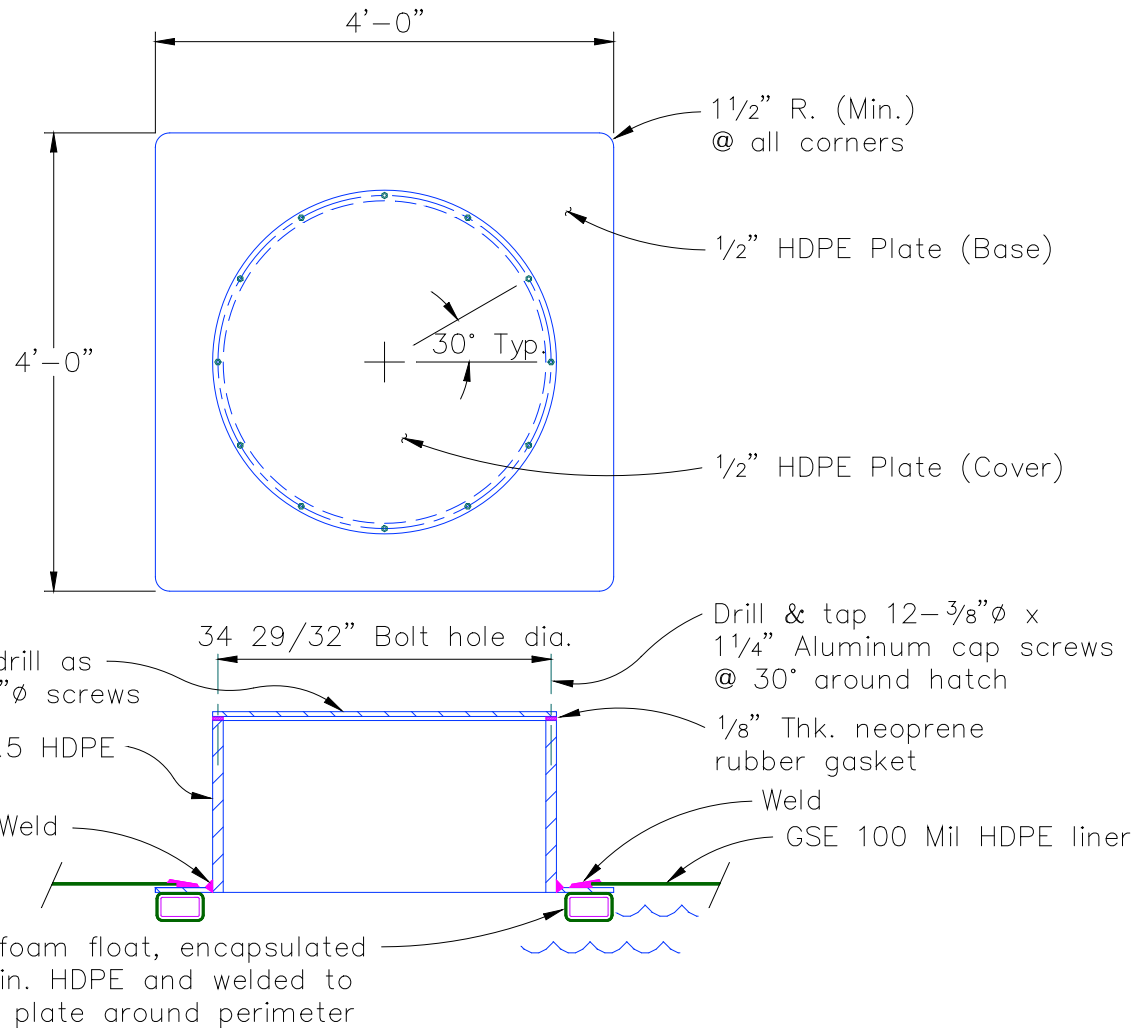
12/15/98

REVISION

1

DWG. NO.

D-FC026



Typical Floating Cover Manhole

Not to scale



GSE Lining Technology, Inc.

19103 Gundie Road
Houston, Texas 77073-3598
(800)435-2008 / (281)443-8564

NO PART OF THIS DOCUMENT MAY BE REPRODUCED OR DISTRIBUTED IN ANY FORM OR BY ANY MEANS, OR STORED IN A DATA BASE OR RETRIEVAL SYSTEM, WITHOUT THE PRIOR WRITTEN PERMISSION OF GSE Lining Technology, Inc.

THIS IS A CONCEPTUAL DRAWING SOLELY FOR USE BY ENGINEERS AS A GENERAL GUIDELINE IN FORMULATING SITE SPECIFIC ENGINEERING DRAWINGS. NO DESCRIPTION OF MATERIALS OR THIS DESIGN CREATES OR AMOUNTS TO AN EXPRESS WARRANTY, OR IMPLIED WARRANTY OF MERCHANTABILITY OR FITNESS FOR A PARTICULAR PURPOSE.

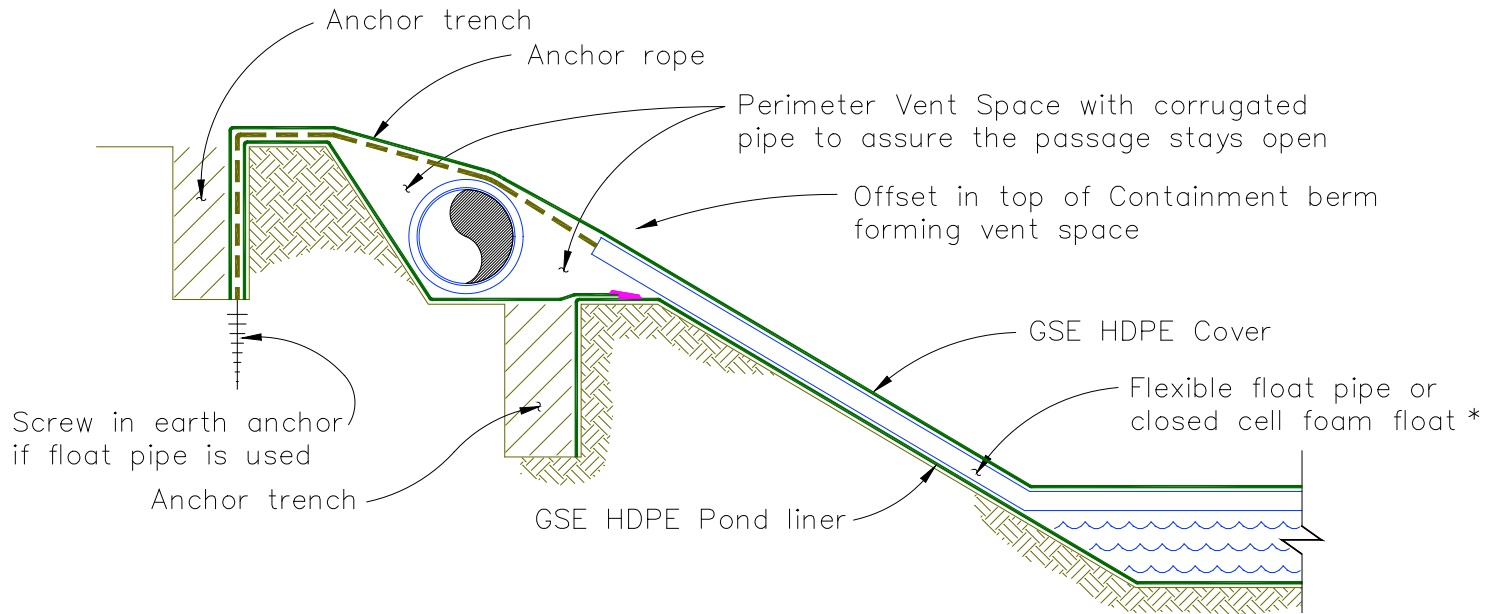
DRAWN Don

DATE 12/15/98

REVISION 1

DWG. NO. D-FC027

* Closed cell foam float may be attached directly to the cover for total support
 – No anchor required



Floating Cover Gas Passage To Perimeter Vent

(Float pipe or foam float)
 Not to scale



GSE Lining Technology, Inc.

19103 Gundie Road
 Houston, Texas 77073-3598
 (800)435-2008 / (281)443-8564

NO PART OF THIS DOCUMENT MAY BE REPRODUCED OR DISTRIBUTED IN ANY FORM OR BY ANY MEANS, OR STORED IN A DATA BASE OR RETRIEVAL SYSTEM, WITHOUT THE PRIOR WRITTEN PERMISSION OF GSE Lining Technology, Inc.

THIS IS A CONCEPTUAL DRAWING SOLELY FOR USE BY ENGINEERS AS A GENERAL GUIDELINE IN FORMULATING SITE SPECIFIC ENGINEERING DRAWINGS. NO DESCRIPTION OF MATERIALS OR THIS DESIGN CREATES OR AMOUNTS TO AN EXPRESS WARRANTY, OR IMPLIED WARRANTY OF MERCHANTABILITY OR FITNESS FOR A PARTICULAR PURPOSE.

DRAWN

Don

DATE

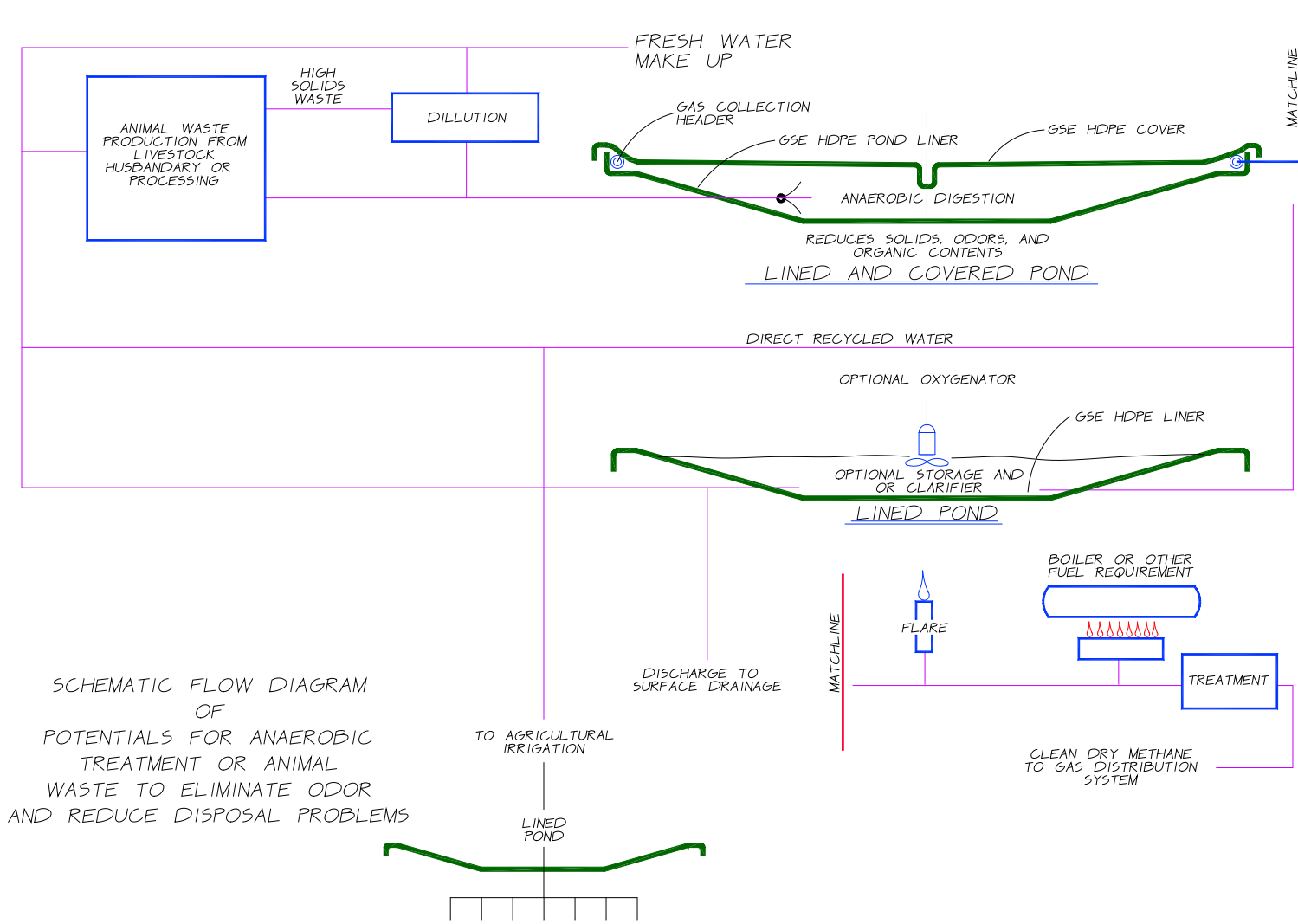
12/15/98

REVISION

1

DWG. NO.

D-FC028



SCHMATIC FLOW DIAGRAM OF POTENTIALS FOR ANAEROBIC TREATMENT OR ANIMAL WASTE TO ELIMINATE ODOR AND REDUCE DISPOSAL PROBLEMS